



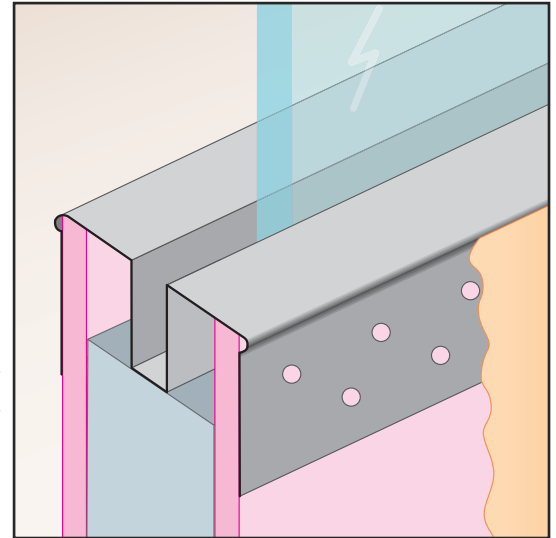
**SPECIAL SIZES AVAILABLE!**

Contact Stockton Custom Fabrication at (877) 786-2587

## GECX: Glazing End Cap

- Special Sizes Available, Contact Customer Service For Details
- Available Anodized, PaintLoc (PTL) or Jet Kote (JTC) Finished
- Available in Aluminum (A)  
(See Our Materials Guide For Details, Page 40)

Used as an end cap to hold glass. Standard length is 10 foot. The GECX Glazing End Cap has holes in the taping flange for keying the drywall mud.  
**Note:** Reveal width depends on glass thickness. Please specify Z dimensions width and depth of reveal.



**NEW**

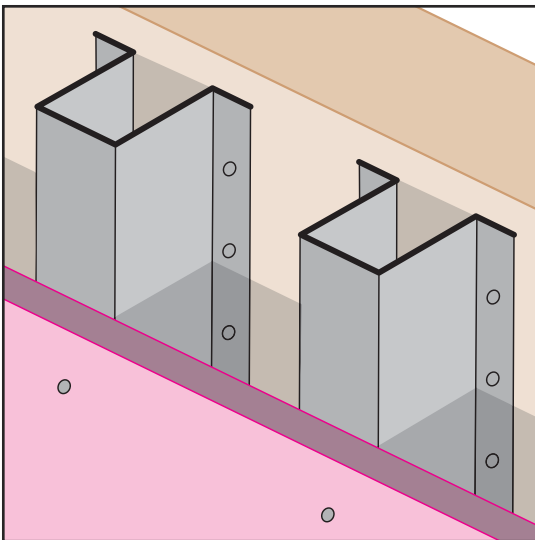
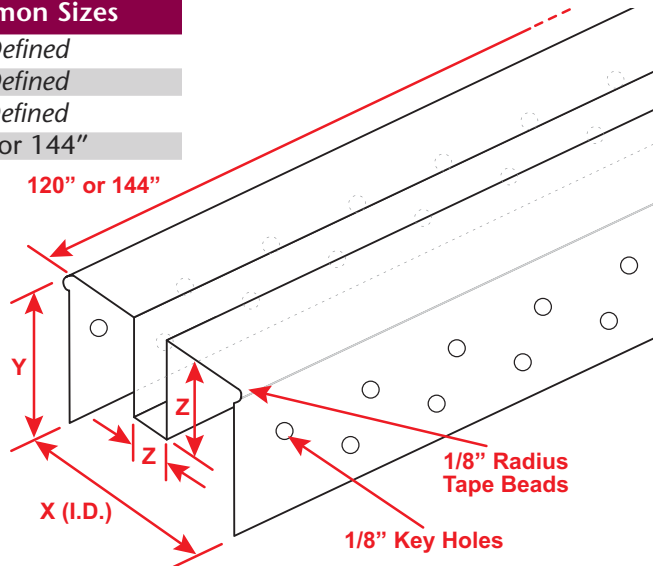
### Most Common Sizes

**X Sizes:** User Defined

**Y Sizes:** User Defined

**Z Sizes:** User Defined

**Length:** 120" or 144"



**NEW**

## H-C: Hat Channel

- Special Sizes Available, Contact Customer Service For Details
- Available in Aluminum (A), Copper (C), Galvanized Steel (GS), Bonderized (BN), Galvalume® (GVM), Stainless Steel (SS) or Zinc (Z)  
(See Our Materials Guide For Details, Page 40)

These 90° Hat Channel are hat-shaped framing component used to space out masonry walls and ceiling assemblies. In concrete wall applications, furring channel is installed vertically to the wall surface using concrete nails or power-driven fasteners. Drywall panels are then attached to the Hat Channels.

### Most Common Sizes

**X Sizes:** User Defined

**Y Sizes:** User Defined

**Z Sizes:** User Defined

**Length:** 120" or 144"

