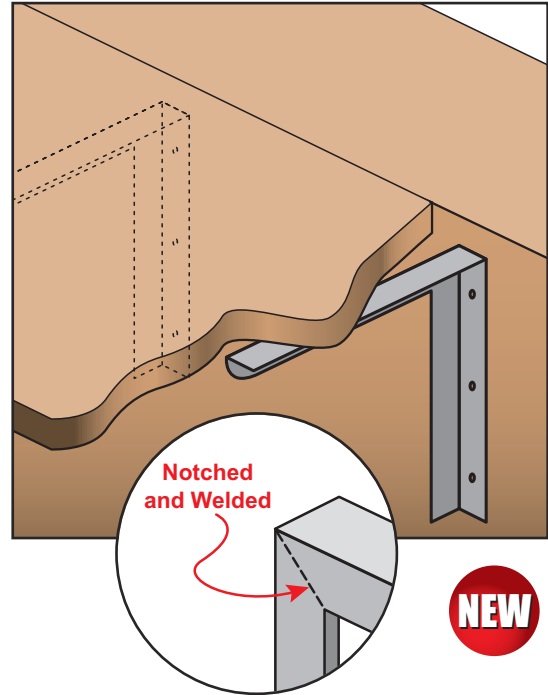


S-B: Counter Support Bracket

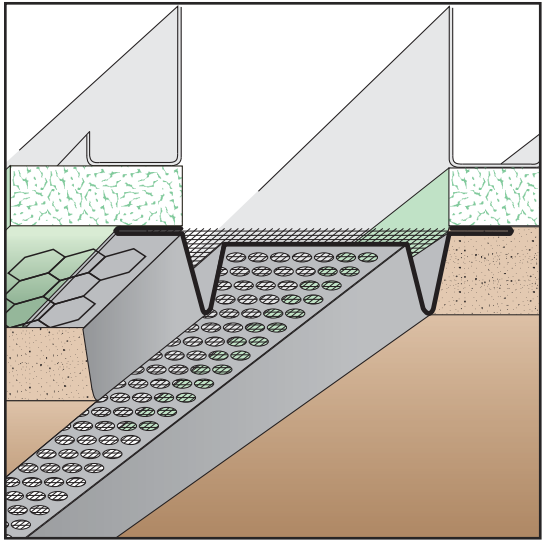
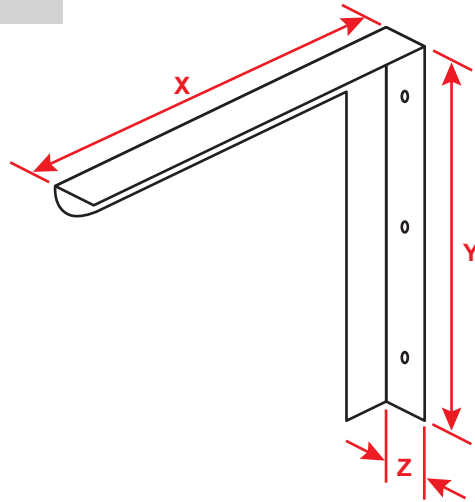
- Special Sizes Available, Contact Customer Service For Details
- Features A Radiused Top Bar For Your Protection
- Available in 1/8", 3/16" or 1/4" Hot Rolled Steel (HR)
(See Our Materials Guide For Details, Page 40)

Our Counter Support Bracket are 90° support brackets are made from a single piece of material, then notched, bent and welded. The reinforced side wall offers greater support for your project.



Most Common Sizes

- X Sizes:** User Defined
- Y Sizes:** User Defined
- Z Sizes:** User Defined

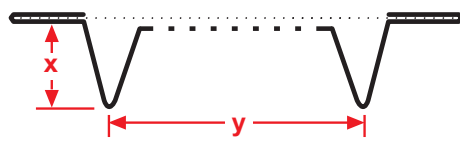


SBS: Bug Stop™ Soffit Vent

- Special Sizes Available, Contact Customer Service For Details
- Available with 1/8" and 1/4" Vent Holes
- Galvanized Steel (GS) Only
- "Allows air in; keeps bugs out." All the same features and value of our standard SVR screed, but with the addition of 0.062, 16-16 (1/16") aluminum screen that protects against the entry of wasps, bees, termites and other pests.
US Patent 85,120,158

Most Common Sizes

- X Sizes:** 1/2", 3/4" or 7/8"
- Y Sizes:** 2", 3" or 4"
- Length:** 120"



Most Common Part Numbers:

- SBS034V200J** SBS: X=3/4, 1/4 Vent, Y=2, GS, 10'
- SBS034V300J** SBS: X=3/4, 1/4 Vent, Y=3, GS, 10'
- SBS034V400** SBS: X=3/4, 1/8 Vent, Y=4, GS, 10'
- SBS034V400J** SBS: X=3/4, 1/4 Vent, Y=4, GS, 10'

SBS078V400 SBS: X=7/8, 1/8 Vent, Y=4, GS, 10'