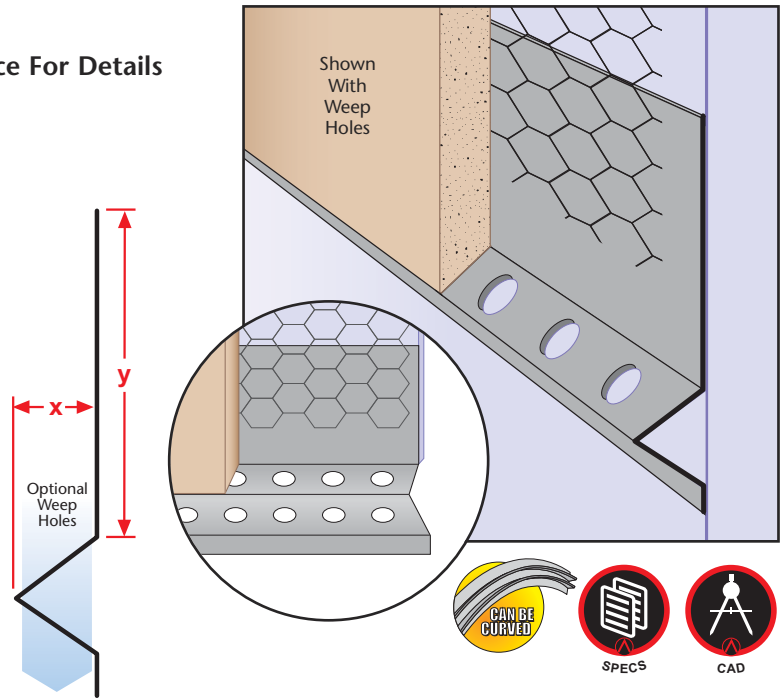


W-S: Weep Screenshot (#7)

- Special Sizes Available, Contact Customer Service For Details
 - Superior™ Moisture Protection
 - Available With 1/2" Weep Holes or No Holes
 - Available Curved Upon Request
 - Available in Aluminum (A), Copper (C), Galvanized Steel (GS), Bonderized (BN), Galvalume® (GVM), Stainless Steel (SS) or Zinc (Z)
- (See Our Materials Guide For Details, Page 40)

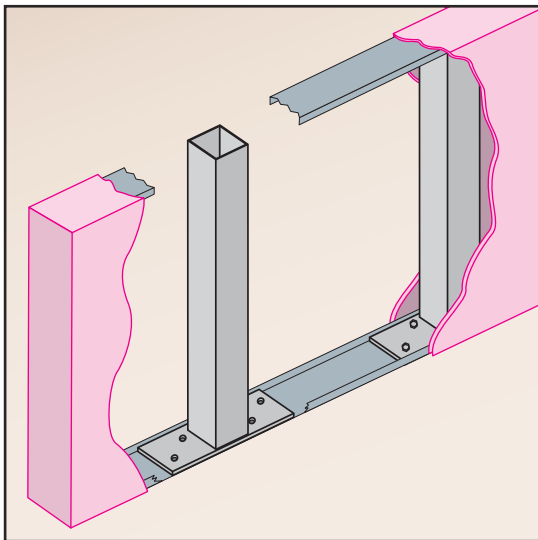
A traditional weep screenshot that provides a plaster stop and functions as a weep screenshot at the foundation. Available with and without weep holes.

- Most Common Sizes**
- X Sizes:** 1/2", 3/4", 7/8", 1", 1 1/4", 1 3/8" or 1 1/2"
- Y Sizes:** 3 1/2", 4 1/2" or 5"
- Length:** 120"



Most Common Part Numbers:

W S034 312	W-S: X=3/4, Y=3 1/2, GS, 10'	W S138W312	W-S: X=1 3/8, 1/8 Weep, Y=3 1/2, GS, 10'
W S034W312LA	W-S: X=3/4, 1/2 Weep, Y=3 1/2, A, 10'	W S138W312J	W-S: X=7/8, 1/4 Weep, Y=3 1/2, Z, 10'
W S078 312	W-S: X=7/8, Y=3 1/2, GS, 10'	W S158W312L	W-S: X= 1 5/8, 1/2 Weep, Y=3 1/2, GS, 10'
W S078W312L	W-S: X=7/8, 1/2 Weep, Y=3 1/2, GS, 10'	W S200W312LSS	W-S: X= 2, 1/2 Weep, Y=3 1/2, SS, 10'

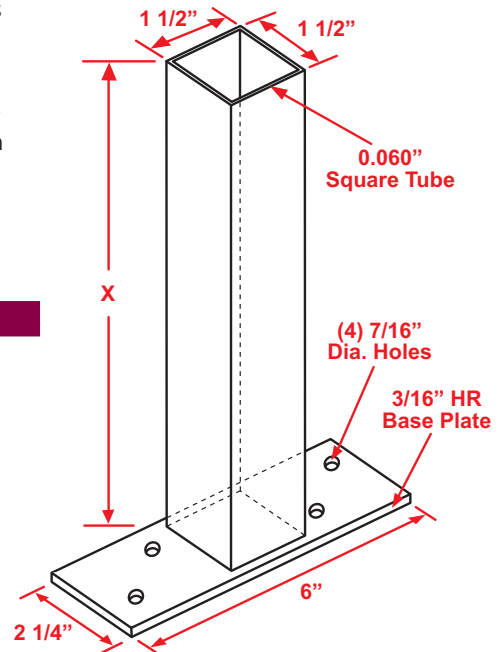


WPX-R: Wall Post (Rectangular Base)

- Special Sizes Available, Contact Customer Service For Details
 - 2 1/4" x 6" Rectangle Base (3/16" HR Base Plate)
 - Includes Four 7/16" Dia. Holes
 - Available in 36", 48" and 60" Height
 - 3/16" Hot Roll Steel Standard
- (See Our Materials Guide For Details, Page 40)

Wall posts are used in pony walls (half walls). The wall post is mounted to a guide track or directly to the floor structure. Which add strength and rigidity to the short wall by acting as an anchor to the floor. Generally a 2 1/4" x 6" rectangle base wall post would be used in 2 1/2" pony walls.

- Most Common Sizes**
- X Sizes:** 36", 48" or 60"



Most Common Part Numbers:

WPX R36	WPX-R: X=36, HR
WPX R48	WPX-R: X=48, HR
WPX R60	WPX-R: X=60, HR