



**CUSTOM SIZES AVAILABLE!**

Stockton Custom Fabrication

877-786-2587

custom@StocktonProducts.com

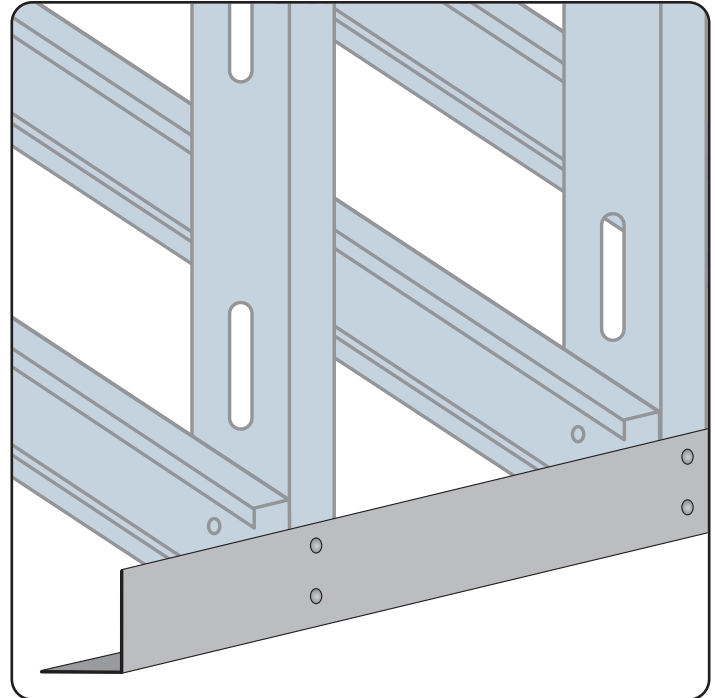


**PRODUCTS™**

# ANG: Custom Angles

- Custom Sizes Available, Contact Customer Service For Details
- Available in Aluminum (A), Copper (C), Galvanized Steel (GS), Bonderized (BN), Galvalume® (GVM), Stainless Steel (SS) or Zinc (Z)

We can custom fabricate almost any angle, bend, shape or specialty framing clip, connector or support requested. These custom products are manufactured using precision brake-forming equipment. We offer a wide selection of specialized sizes and shapes are available.



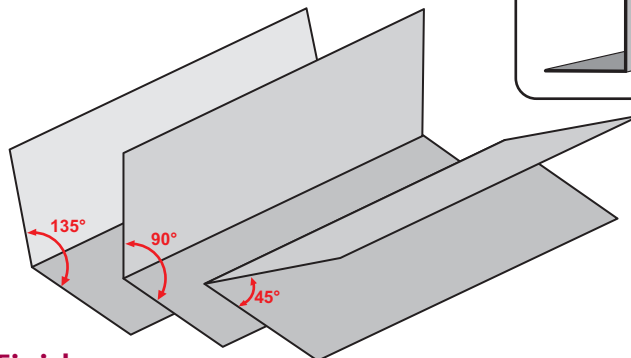
### Most Common Sizes

**X Sizes:** *User Defined*

**Y Sizes:** *User Defined*

**Angle Degree (Z):** *User Defined*

**Length:** 120" or 144"



### Materials And Finishes:

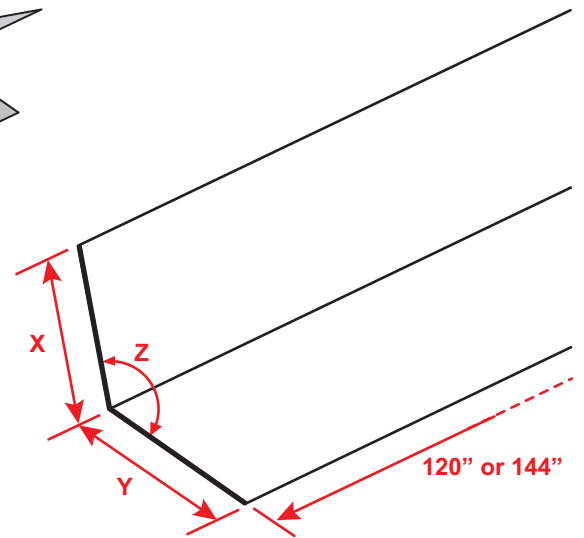
Details: [stpro.us/MET](http://stpro.us/MET)

Aluminum (A), Copper (C), Galvanized Steel (GS), Bonderized (BN), Galvalume® (GVM), Hot Roll Steel (HR), Stainless Steel (SS) or Zinc (Z)

### ASTM Codes:

Details: [stpro.us/ASTM](http://stpro.us/ASTM)

A1003, A653, A924, C645, C754, C955



<b>QUOTE</b>	Company: _____	QTY: _____	PO Number: _____
	Name: _____	Material/Gauge: _____	Job/Project: _____
	Address: _____	X Size: _____	Notes: _____
	City: _____	Y Size: _____	_____
	State/ZIP: _____	Angle Degree (Z): _____	_____
	Phone: _____	Length: _____	_____
	eMail: _____		_____

**877-786-2587 • StocktonProducts.com**

