



CUSTOM SIZES AVAILABLE!

Stockton Custom Fabrication

877-786-2587

custom@StocktonProducts.com



PRODUCTS™

CSJ: Corner Slip Joint - 2 Piece

- Custom Sizes Available, Contact Customer Service For Details
- Available in Aluminum (A), Copper (C), Galvanized Steel (GS), Bonderized (BN), Galvalume® (GVM), Stainless Steel (SS) or Zinc (Z)

Designed to facilitate movement at an inside corner condition.

Most Common Sizes

X Sizes: 1/2", 5/8", 3/4", 7/8" or 1"

Y Sizes: 3/8", 1/2", 5/8", 3/4", 7/8" or 1"

Length: 120"

Materials And Finishes:

Details: stpro.us/MET

Aluminum (A), Copper (C), Galvanized Steel (GS), Bonderized (BN), Galvalume® (GVM), Stainless Steel (SS) or Zinc (Z)

ASTM Codes:

Details: stpro.us/ASTM

All Accessories are fabricated from prime galvanized steel G90 zinc coating by the hot dipped method, conforming to steel and coating specification ASTM A-653/A-653M or zinc alloy meeting ASTM B-69. Stainless Steel A480/A480M A580M (Stainless Steel) For installation and placement instructions refer to ASTM C1063, C841 and C926.

Most Common Part Numbers:

CSJ034 034 CSJ: X=3/4, Y=3/4, GS, 10'

CSJ078 034 CSJ: X=7/8, Y=3/4, GS, 10'

CSJ078 034Z CSJ: X=7/8, Y=3/4, Z, 10'

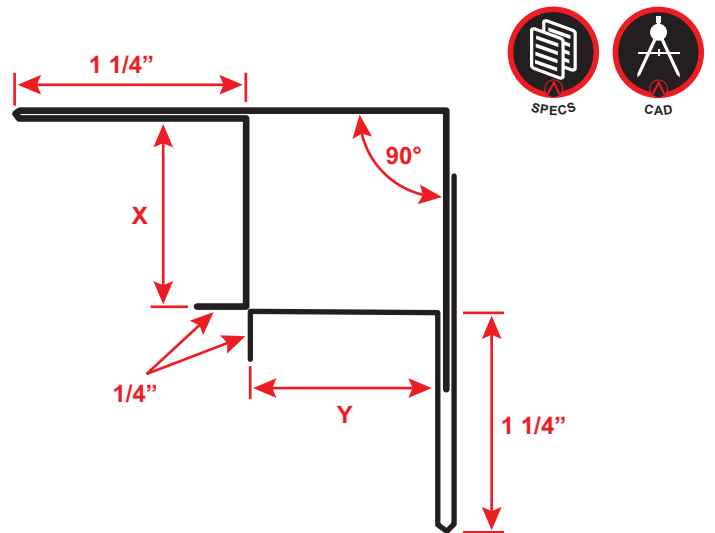
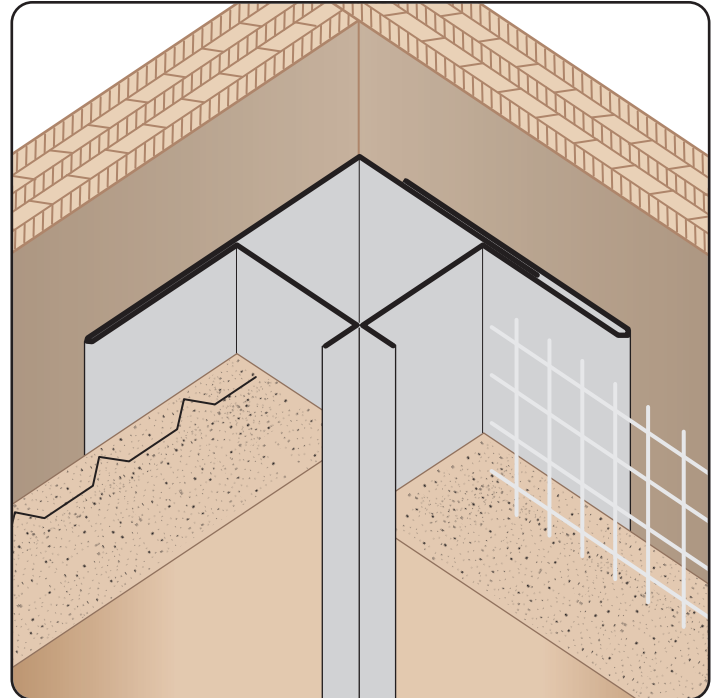
CSJ078 078A CSJ: X=7/8, Y=7/8, A, 10'

CSJ078 078SS CSJ: X=7/8, Y=7/8, SS, 10'

CSJ078 078Z CSJ: X=7/8, Y=7/8, Z, 10'

CSJ078 100 CSJ: X=7/8, Y=1, GS, 10'

CSJ100 100SS4 CSJ: X=1, Y=1, SS, 4'



QUOTE	Company: _____	QTY: _____	PO Number: _____
	Name: _____	Material/Gauge: _____	Job/Project: _____
	Address: _____	X Size: _____	Notes: _____
	City: _____	Y Size: _____	_____
	State/ZIP: _____	Length: _____	_____
	Phone: _____		_____
	eMail: _____		_____

877-786-2587 • StocktonProducts.com

