



CUSTOM SIZES AVAILABLE!

Stockton Custom Fabrication

877-786-2587

custom@StocktonProducts.com



PRODUCTS™

DLT: Deep Leg Track

- Custom Sizes Available, Contact Customer Service For Details
- Available in Galvanized Steel (GS)

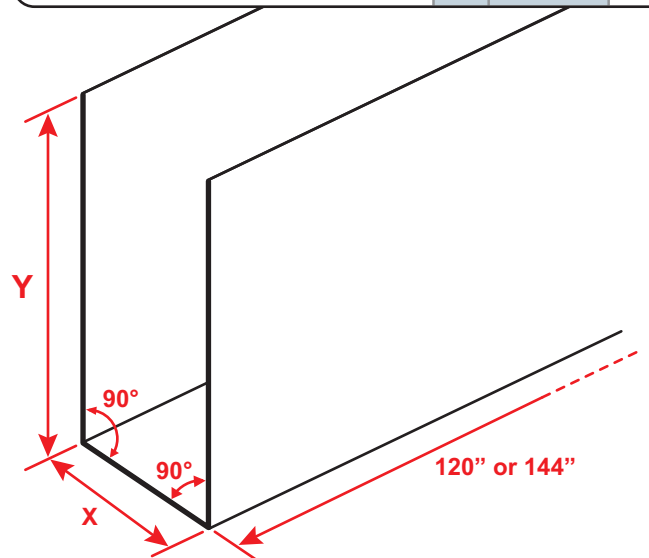
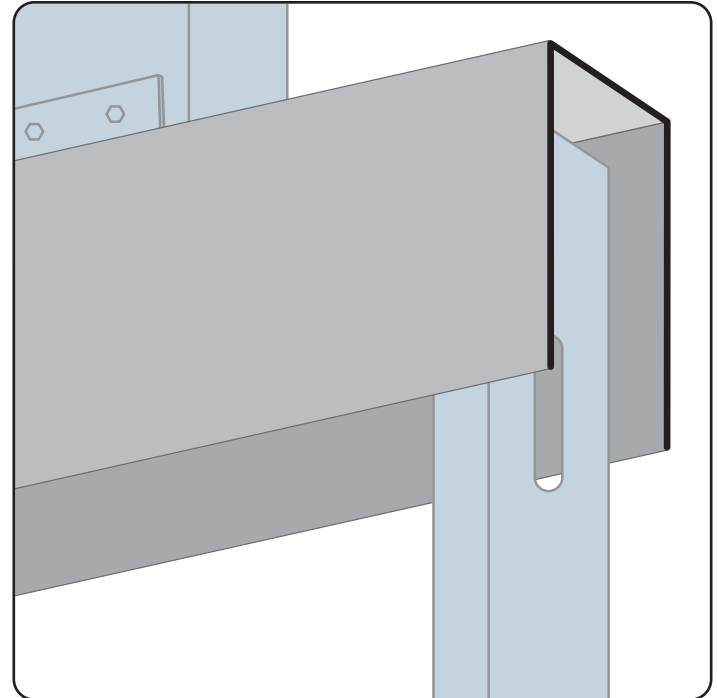
The deflection track is used to align the studs vertically and the deflection of the building structure at the head of wall. Allows the top of the wall stud to float within the track legs. The wall studs are not fastened to the track.

Most Common Sizes

X Sizes: *User Defined*

Y Sizes: *User Defined*

Length: 120" or 144"



Materials And Finishes:

Details: stpro.us/MET

Galvanized Steel (GS)

ASTM Codes:

Details: stpro.us/ASTM

A1003, A653, A924, C645, C754, C955

QUOTE	Company: _____	QTY: _____	PO Number: _____
	Name: _____	Material/Gauge: _____	Job/Project: _____
	Address: _____	X Size: _____	Notes: _____
	City: _____	Y Size: _____	_____
	State/ZIP: _____	Length: _____	_____
	Phone: _____		_____
	eMail: _____		_____

877-786-2587 • StocktonProducts.com

