



CUSTOM SIZES AVAILABLE!

Stockton Custom Fabrication
877-786-2587
custom@StocktonProducts.com



PRODUCTS™

ECP: End Cap

- Custom Sizes Available, Contact Customer Service For Details
- Available Anodized, Jet Kote (JTC) Finished
- Available in Aluminum (A)

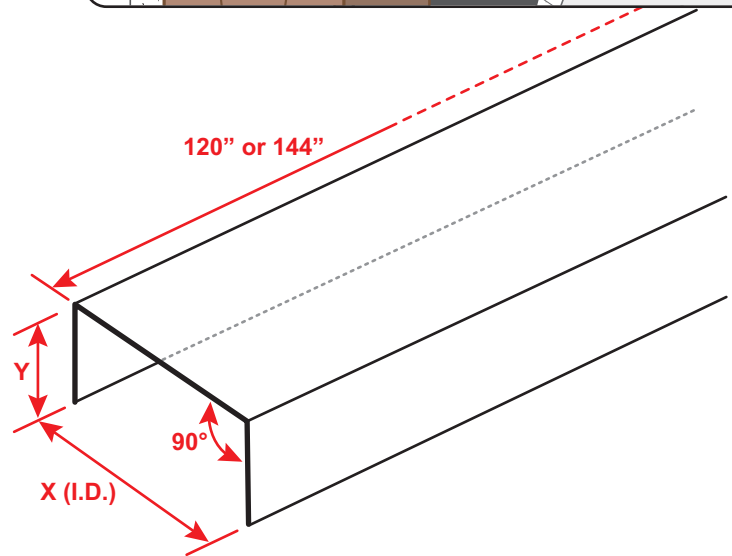
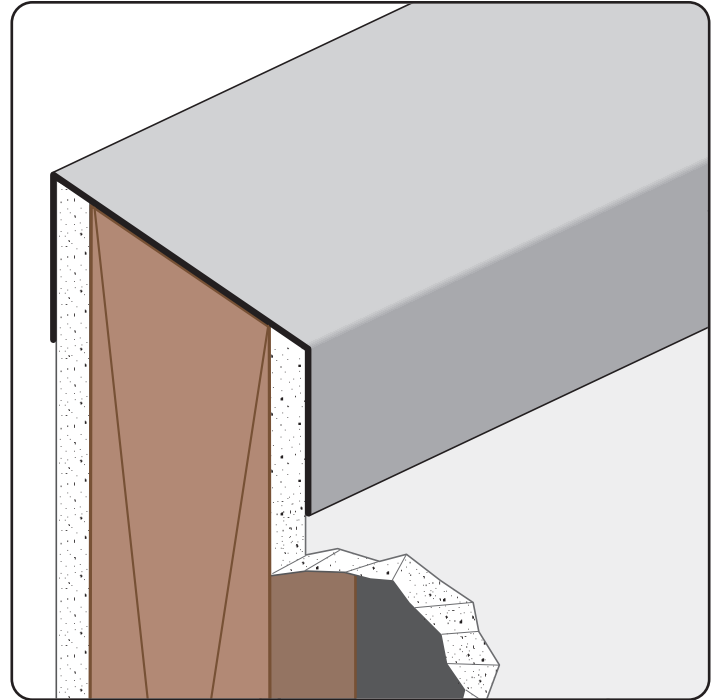
Used as an end cap to finish off partition walls.
Standard length is 10 foot.

Most Common Sizes

X Sizes: 3 3/4", 3 7/8", 4 7/8", 5 1/4" or 7 1/4"

Y Sizes: 1 1/4"

Length: 120" or 144"



Materials And Finishes:

Details: stpro.us/MET

Aluminum (A)

ASTM Codes:

Details: stpro.us/ASTM

A1003, A653, A924, C645, C754, C955

QUOTE	Company: _____	QTY: _____	PO Number: _____
	Name: _____	Material/Gauge: _____	Job/Project: _____
	Address: _____	X Size: _____	Notes: _____
	City: _____	Y Size: _____	_____
	State/ZIP: _____	Length: _____	_____
	Phone: _____		_____
	eMail: _____		_____

877-786-2587 • StocktonProducts.com

