



CUSTOM SIZES AVAILABLE!

Stockton Custom Fabrication
877-786-2587
custom@StocktonProducts.com



PRODUCTS™

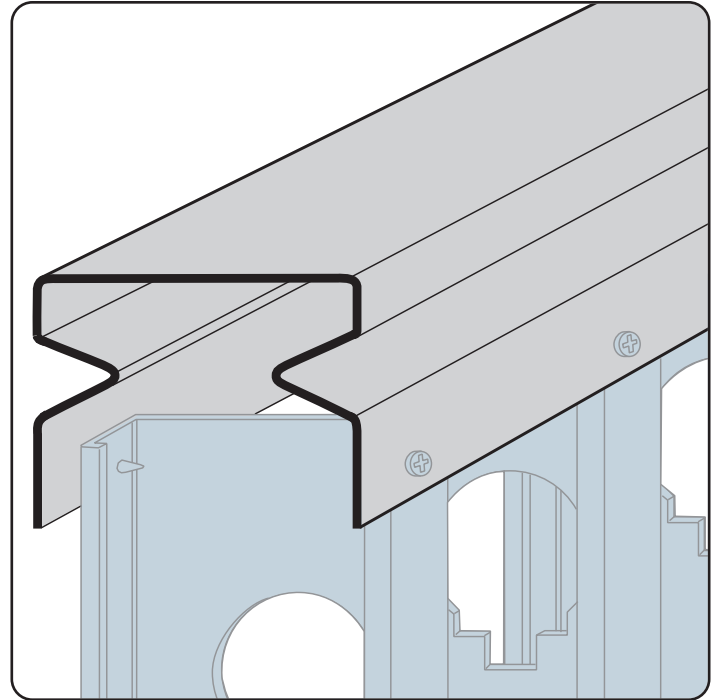
FLT: Flexible Trak

- Custom Sizes Available, Contact Customer Service For Details
 - 26 Gauge or 20 Gauge Galvanized Steel Only
- Flexible Trak is designed for non-load bearing and partition walls to reduce cracking caused by ceiling deflection.

Most Common Sizes

X Sizes: 3 5/8", 4" or 6"

Length: 120"



Materials And Finishes:

Details: stpro.us/MET

Galvanized Steel (GS)

ASTM Codes:

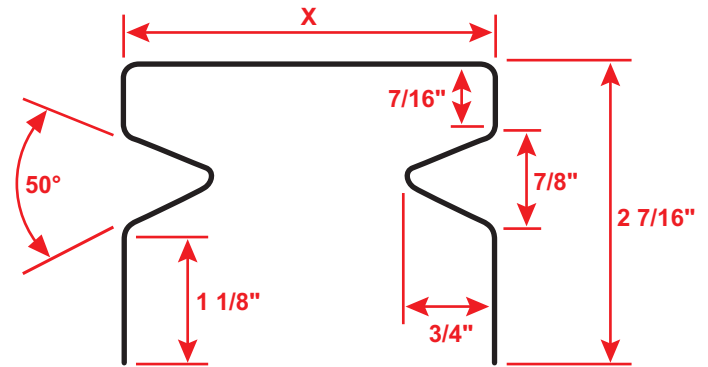
Details: stpro.us/ASTM

A1003, A653, A924, C645, C754, C955

Most Common Part Numbers:

FLT20G 358 FLT: X=3 5/8, GS 20ga, 10'

FLT20G 600 FLT: X=6, GS 20ga, 10'



QUOTE

| | | |
|------------------|-----------------------|--------------------|
| Company: _____ | QTY: _____ | PO Number: _____ |
| Name: _____ | Material/Gauge: _____ | Job/Project: _____ |
| Address: _____ | X Size: _____ | Notes: _____ |
| City: _____ | Length: _____ | _____ |
| State/ZIP: _____ | | _____ |
| Phone: _____ | | _____ |
| eMail: _____ | | _____ |

877-786-2587 • StocktonProducts.com

