



**CUSTOM SIZES AVAILABLE!**

Stockton Custom Fabrication  
877-786-2587  
custom@StocktonProducts.com



## FS: Flat Strap

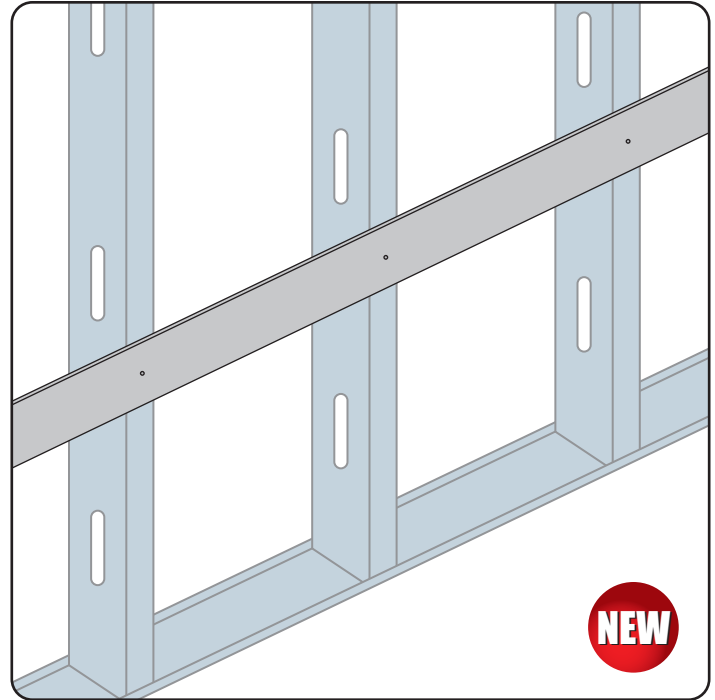
- Custom Sizes Available, Contact Customer Service For Details
- Available in Galvanized Steel (GS)

Multipurpose flat strap used for bracing, bridging or tension strapping. Flat Strap is made in a variety of widths and thicknesses to meet different application requirements.

### Most Common Sizes

**X Sizes:** *User Defined*

**Length:** 120" or 144"



### Materials And Finishes:

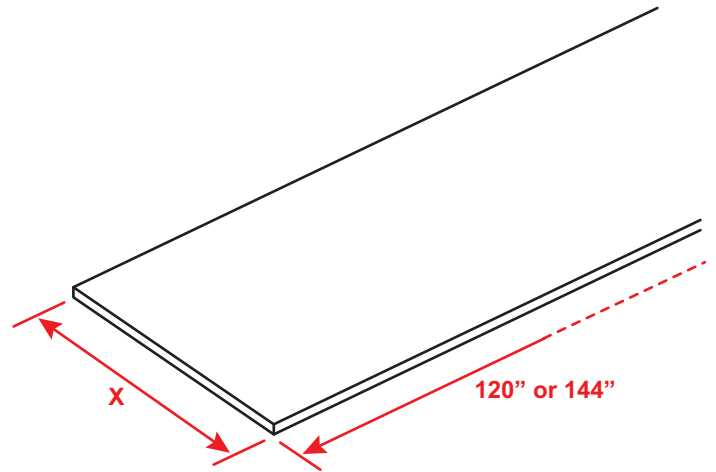
Details: [stpro.us/MET](http://stpro.us/MET)

Galvanized Steel (GS)

### ASTM Codes:

Details: [stpro.us/ASTM](http://stpro.us/ASTM)

A1003, A653, A924, C645, C754, C955



<b>QUOTE</b>	Company: _____	QTY: _____	PO Number: _____
	Name: _____	Material/Gauge: _____	Job/Project: _____
	Address: _____	X Size: _____	Notes: _____
	City: _____	Length: _____	_____
	State/ZIP: _____		_____
	Phone: _____		_____
	eMail: _____		_____

**877-786-2587 • StocktonProducts.com**

