



CUSTOM SIZES AVAILABLE!

Stockton Custom Fabrication
877-786-2587
custom@StocktonProducts.com

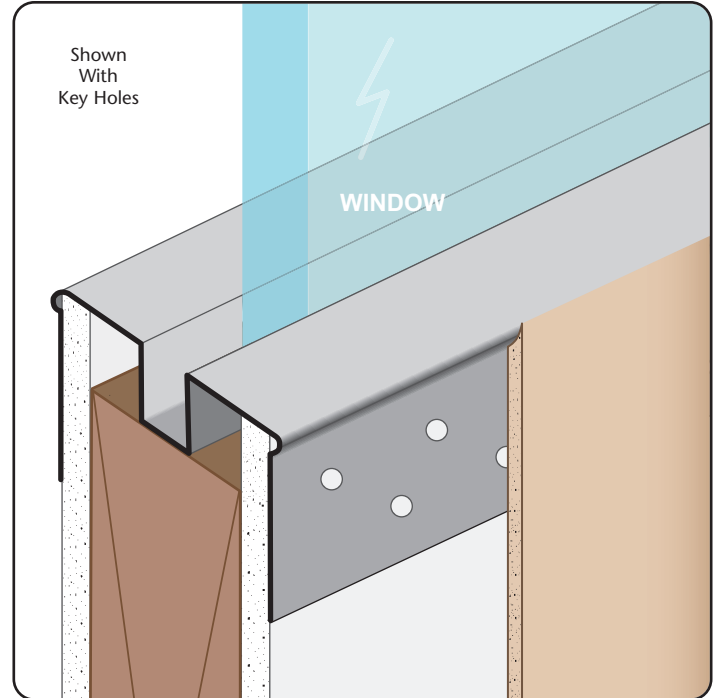


GECX: Glazing End Cap

- Custom Sizes Available, Contact Customer Service For Details
- Optional Key Holes in Tape Flange
- Available Anodized, PaintLoc (PTL) or Jet Kote (JTC) Finished
- Available in Aluminum (A)

Used as an end cap to hold glass. Standard length is 10 foot. The GECX Glazing End Cap has optional holes in the taping flange for keying the drywall mud.

Note: Reveal width depends on glass thickness. Please specify Z dimensions width and depth of reveal.



Most Common Sizes

W Sizes: User Defined

X Sizes: User Defined

Y Sizes: User Defined

Z Sizes: User Defined

Length: 120" or 144"

Materials And Finishes:

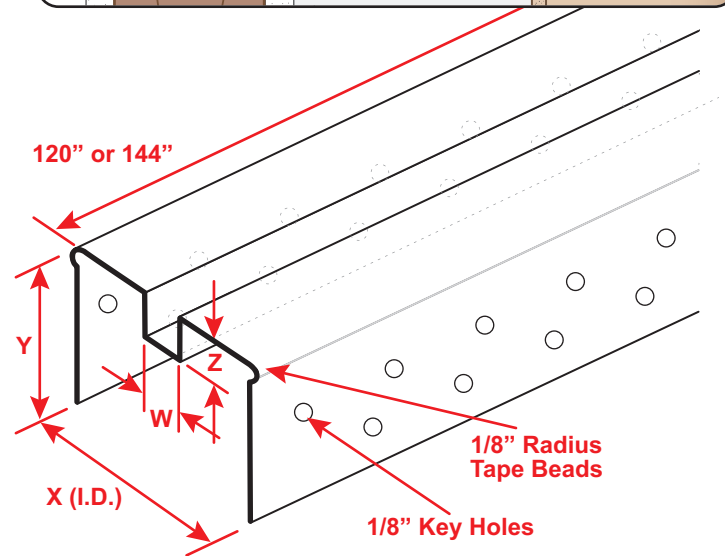
Details: stpro.us/MET

Aluminum (A)

ASTM Codes:

Details: stpro.us/ASTM

A1003, A653, A924, C645, C754, C955



QUOTE

Company: _____
 Name: _____
 Address: _____
 City: _____
 State/ZIP: _____
 Phone: _____
 eMail: _____

QTY: _____
 Material/Gauge: _____
 W Size: _____
 X Size: _____
 Y Size: _____
 Z Size: _____
 Key Holes: None 1/8"

Length: _____
 PO Number: _____
 Job/Project: _____
 Notes: _____

877-786-2587 • StocktonProducts.com

