



**CUSTOM SIZES AVAILABLE!**

Stockton Custom Fabrication

877-786-2587

custom@StocktonProducts.com

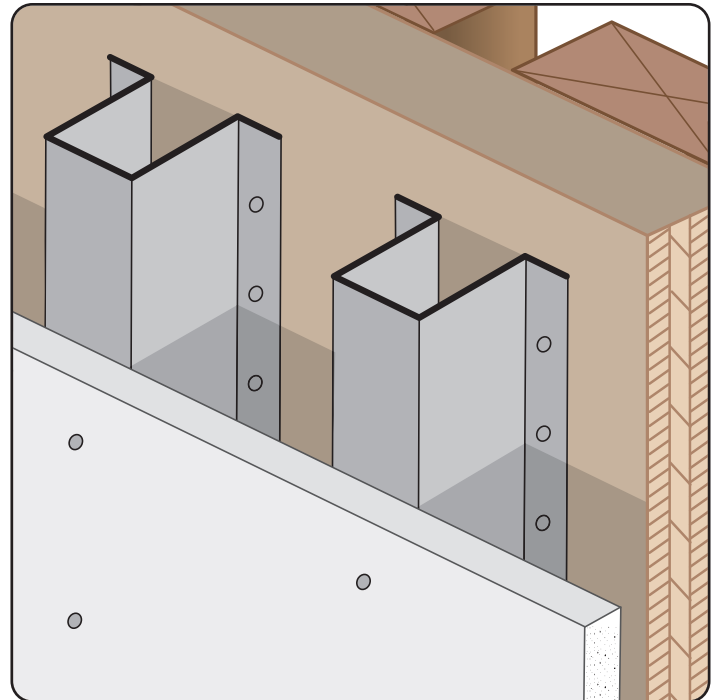


**PRODUCTS™**

# H-C: Hat Channel

- Custom Sizes Available, Contact Customer Service For Details
- Available in Aluminum (A), Copper (C), Galvanized Steel (GS), Bonderized (BN), Galvalume® (GVM), Stainless Steel (SS) or Zinc (Z)

These 90° Hat Channel are hat-shaped framing component used to space out masonry walls and ceiling assemblies. In concrete wall applications, furring channel is installed vertically to the wall surface using concrete nails or power-driven fasteners. Drywall panels are then attached to the Hat Channels.



### Most Common Sizes

**X Sizes:** User Defined

**Y Sizes:** User Defined

**Z Sizes:** User Defined

**Length:** 120" or 144"

### Materials And Finishes:

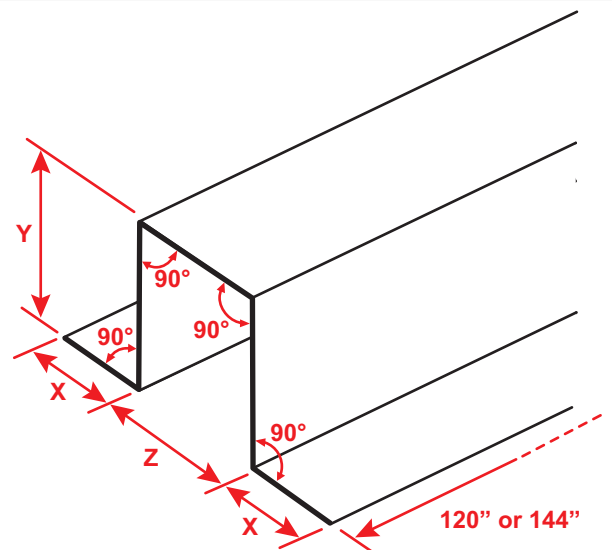
Details: [stpro.us/MET](http://stpro.us/MET)

Aluminum (A), Copper (C), Galvanized Steel (GS), Bonderized (BN), Galvalume® (GVM), Stainless Steel (SS) or Zinc (Z)

### ASTM Codes:

Details: [stpro.us/ASTM](http://stpro.us/ASTM)

A1003, A653, A924, C645, C754, C955



**QUOTE**

Company: \_\_\_\_\_  
 Name: \_\_\_\_\_  
 Address: \_\_\_\_\_  
 City: \_\_\_\_\_  
 State/ZIP: \_\_\_\_\_  
 Phone: \_\_\_\_\_  
 eMail: \_\_\_\_\_

QTY: \_\_\_\_\_  
 Material/Gauge: \_\_\_\_\_  
 X Size: \_\_\_\_\_  
 Y Size: \_\_\_\_\_  
 Z Size: \_\_\_\_\_  
 Length: \_\_\_\_\_

PO Number: \_\_\_\_\_  
 Job/Project: \_\_\_\_\_  
 Notes: \_\_\_\_\_  
 \_\_\_\_\_  
 \_\_\_\_\_

**877-786-2587 • StocktonProducts.com**

