



**CUSTOM SIZES AVAILABLE!**

Stockton Custom Fabrication  
877-786-2587  
custom@StocktonProducts.com

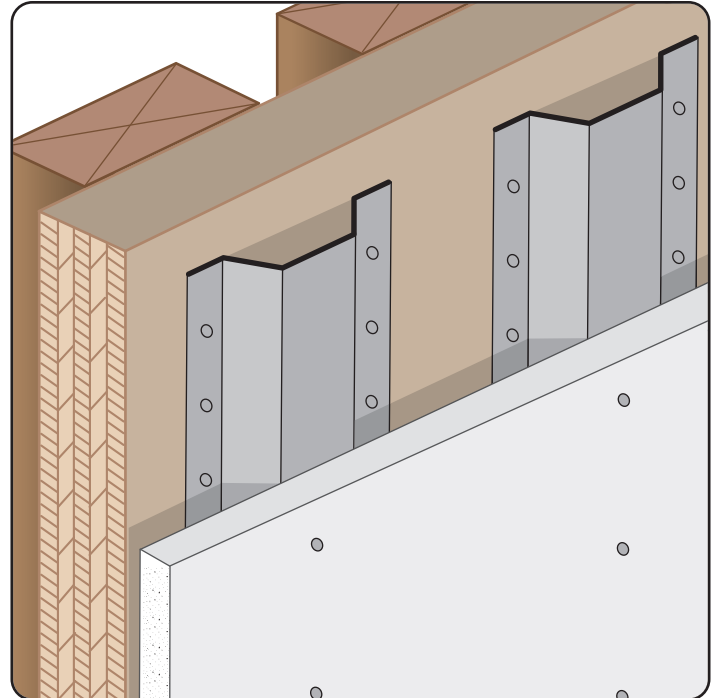


**PRODUCTS™**

# H-C/LP: Hat Channel Low Profile

- Custom Sizes Available, Contact Customer Service For Details
- Available in Aluminum (A), Copper (C), Galvanized Steel (GS), Bonderized (BN), Galvalume® (GVM), Stainless Steel (SS) or Zinc (Z)

Similar to the hat Channel the Hot Channel Low Profile is designed to give less spacing. These 110° Hat Channel are framing component used to space out masonry walls and ceiling assemblies. In concrete wall applications, furring channel is installed vertically to the wall surface using concrete nails or power-driven fasteners. Exterior panels are then attached to the Hat Channels.



### Most Common Sizes

**X Sizes:** User Defined

**Y Sizes:** User Defined

**Z Sizes:** User Defined

**Length:** 120" or 144"

### Materials And Finishes:

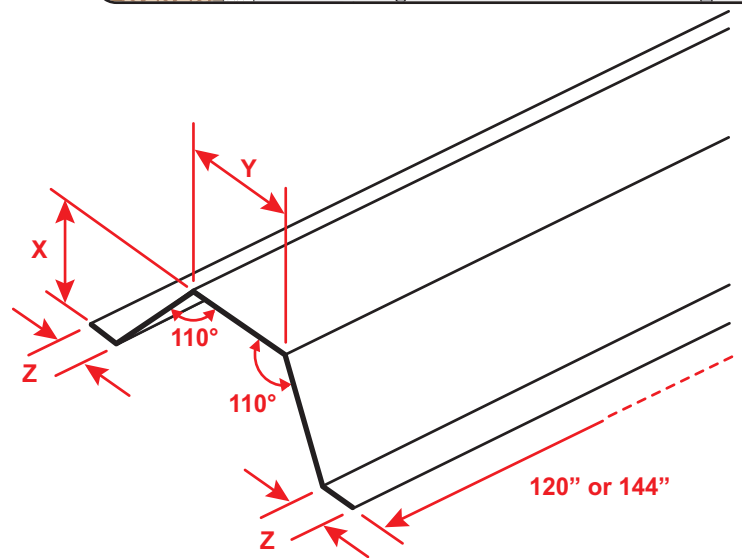
Details: [stpro.us/MET](http://stpro.us/MET)

Aluminum (A), Copper (C), Galvanized Steel (GS), Bonderized (BN), Galvalume® (GVM), Stainless Steel (SS) or Zinc (Z)

### ASTM Codes:

Details: [stpro.us/ASTM](http://stpro.us/ASTM)

A1003, A653, A924, C645, C754, C955



**QUOTE**

Company: \_\_\_\_\_  
 Name: \_\_\_\_\_  
 Address: \_\_\_\_\_  
 City: \_\_\_\_\_  
 State/ZIP: \_\_\_\_\_  
 Phone: \_\_\_\_\_  
 eMail: \_\_\_\_\_

QTY: \_\_\_\_\_  
 Material/Gauge: \_\_\_\_\_  
 X Size: \_\_\_\_\_  
 Y Size: \_\_\_\_\_  
 Z Size: \_\_\_\_\_  
 Length: \_\_\_\_\_

PO Number: \_\_\_\_\_  
 Job/Project: \_\_\_\_\_  
 Notes: \_\_\_\_\_  
 \_\_\_\_\_  
 \_\_\_\_\_

**877-786-2587 • StocktonProducts.com**

