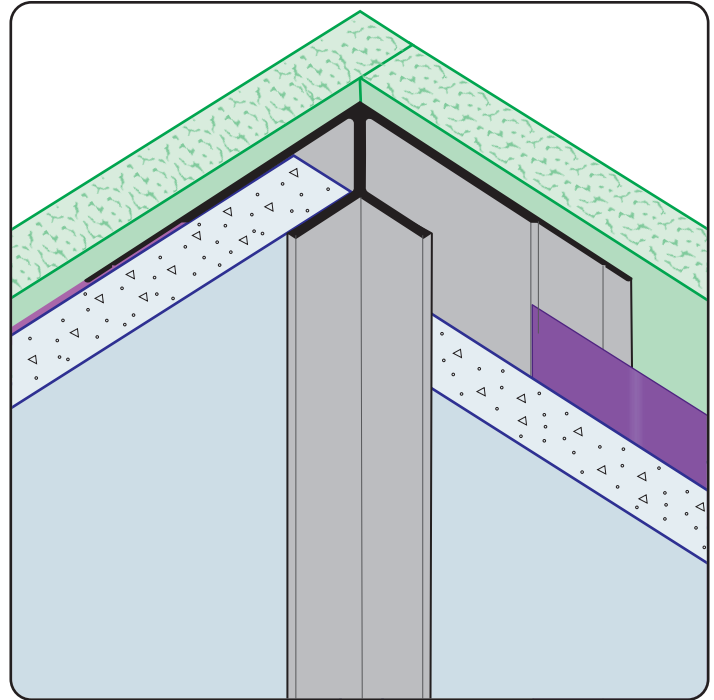


ICR-FCP: Inside Corner Reveal for Fiber Cement Panel

- Available in Aluminum Alloy (6063 T-5)
An inside corner trim that creates a decorative 3/8" reveal at an inside corner condition.
Note: Attach panel per manufacturer's recommended installation instructions.



Most Common Sizes

Length: 10'

Materials And Finishes:

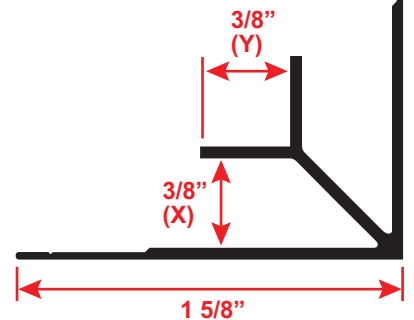
Details: stpro.us/EXT
Aluminum Alloy (6063 T-5)

ASTM Codes:

Details: stpro.us/ASTM
AA-M32-C10A21, AAMA 605.2, C841, C1047, C1063,
B136-84, B244-97, D4214-98, ND1730-67-TYPE B

Most Common Part Numbers:

- ICR FCP375 375EC** ICR-FCP: X=3/8, Y=3/8, Clear Anodize, AL, 10'
- ICR FCP375 375EK** ICR-FCP: X=3/8, Y=3/8, Fluorophore Paint, A, 10'
- ICR FCP375 375ECH** ICR-FCP: X=3/8, Y=3/8, Chem-Film, AL, 10'



QUOTE	Company: _____	QTY: _____	PO Number: _____
	Name: _____	Material: Aluminum Alloy (6063 T-5)	Job/Project: _____
	Address: _____	Length: _____	Notes: _____
	City: _____		_____
	State/ZIP: _____		_____
	Phone: _____		_____
	eMail: _____		_____

877-786-2587 • StocktonProducts.com

