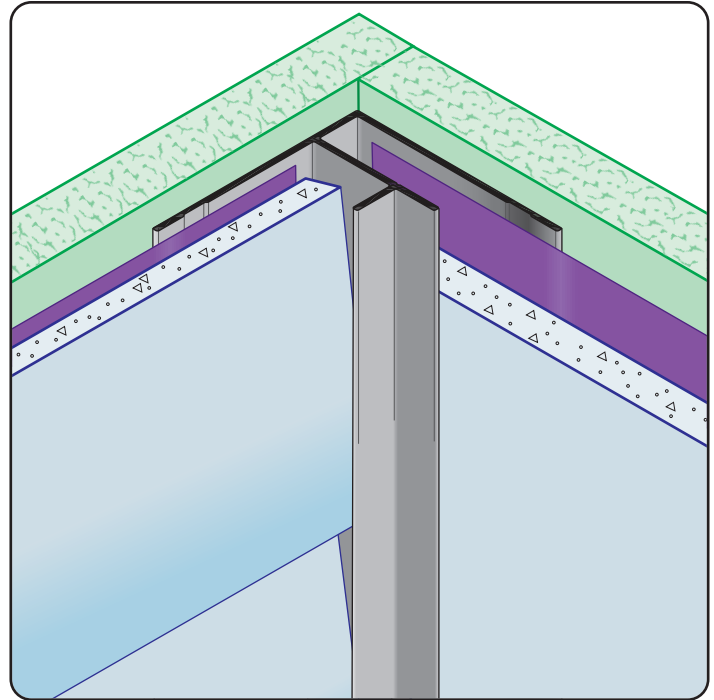


ICT-FCP: Inside Corner Transition for Fiber Cement Panel

- Available in Aluminum Alloy (6063 T-5)
- The ICT-FCP Inside Corner Transition creates an inside corner reveal when transitioning from a single fiber cement panel to two layers of overlapping siding.
- Note:** Attach panel per manufacturer's recommended installation instructions.
- Note:** Not to be used in horizontal applications.



Most Common Sizes

Length: 10'

Materials And Finishes:

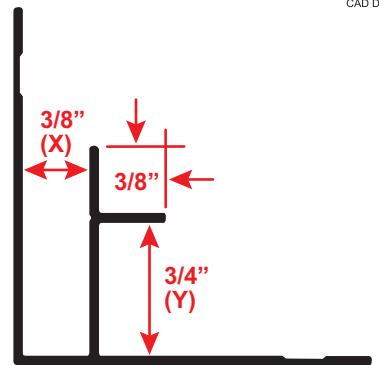
Details: stpro.us/EXT
Aluminum Alloy (6063 T-5)

ASTM Codes:

Details: stpro.us/ASTM
AA-M32-C10A21, AAMA 605.2, C841, C1047, C1063,
B136-84, B244-97, D4214-98, ND1730-67-TYPE B

Most Common Part Numbers:

- ICT FCP375 75EC** ICT-FCP: X=3/8, Y=3/4, Clear Anodize, AL, 10'
- ICT FCP375 75EK** ICT-FCP: X=3/8, Y=3/4, Fluorophore Paint, A, 10'
- ICT FCP375 75ECH** ICT-FCP: X=3/8, Y=3/4, Chem-Film, AL, 10'



QUOTE	Company: _____	QTY: _____	PO Number: _____
	Name: _____	Material: Aluminum Alloy (6063 T-5)	Job/Project: _____
	Address: _____	Length: _____	Notes: _____
	City: _____		_____
	State/ZIP: _____		_____
	Phone: _____		_____
	eMail: _____		_____

877-786-2587 • StocktonProducts.com

