



CUSTOM SIZES AVAILABLE!

Stockton Custom Fabrication

877-786-2587

custom@StocktonProducts.com

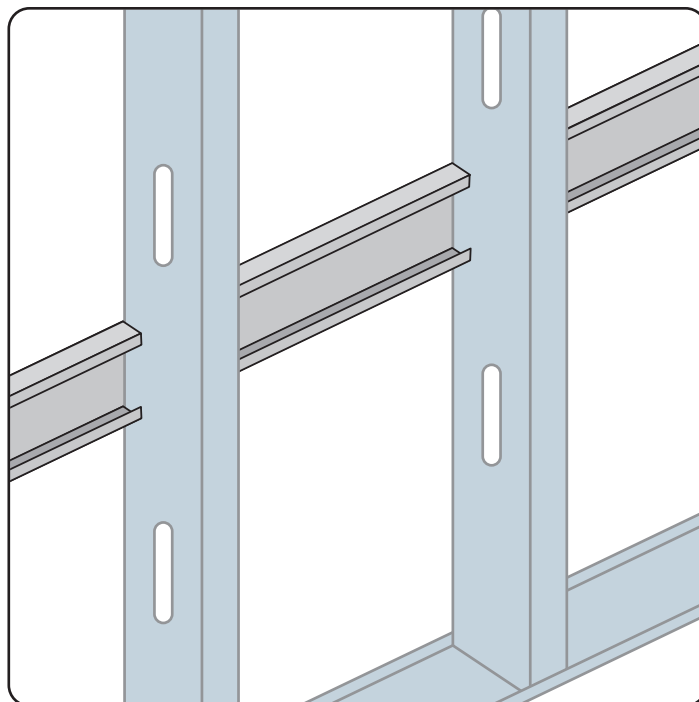


PRODUCTS™

N-S: Notched Stud

- Custom Sizes Available, Contact Customer Service For Details
- Available in Galvanized Steel (GS)

Similar to Notched Track, our Notched Stud is used for floor joist blocking or horizontal backing in walls to allow support mounting various items to the walls. The major difference is Notched Stud features additional structural support to provide a strong mounting surface.



Most Common Sizes

X Sizes: User Defined

Y Sizes: User Defined

Z Sizes: User Defined

Notch Size: 1 3/4" to 2 1/4"

Most Common Lengths

Z=16": 112", 128" or 144"

Z=24": 96", 120" or 144"

Materials And Finishes:

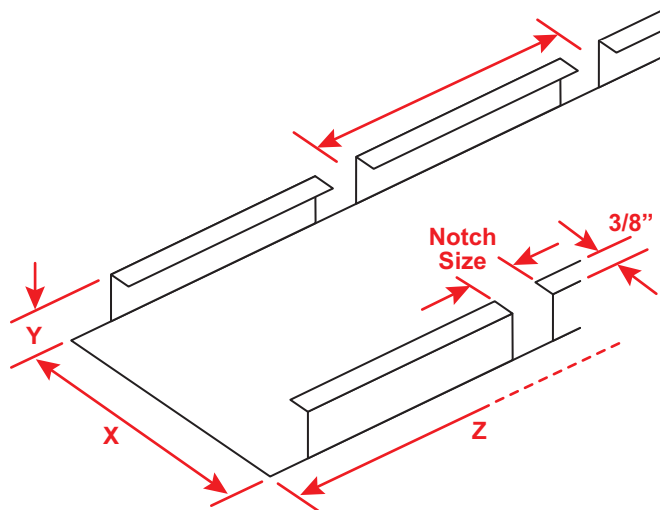
Details: stpro.us/MET

Galvanized Steel (GS)

ASTM Codes:

Details: stpro.us/ASTM

All Accessories are fabricated from prime galvanized steel G90 zinc coating by the hot dipped method, conforming to steel and coating specification ASTM A-653/A-653M or zinc alloy meeting ASTM B-69. Stainless Steel A480/A480M A580M (Stainless Steel) For installation and placement instructions refer to ASTM C1063, C841 and C926.



QUOTE

Company: _____
 Name: _____
 Address: _____
 City: _____
 State/ZIP: _____
 Phone: _____
 eMail: _____

QTY: _____
 Material/Gauge: _____
 X Size: _____
 Y Size: _____
 Z Size: _____
 Notch Size: _____

PO Number: _____
 Job/Project: _____
 Notes: _____

877-786-2587 • StocktonProducts.com

