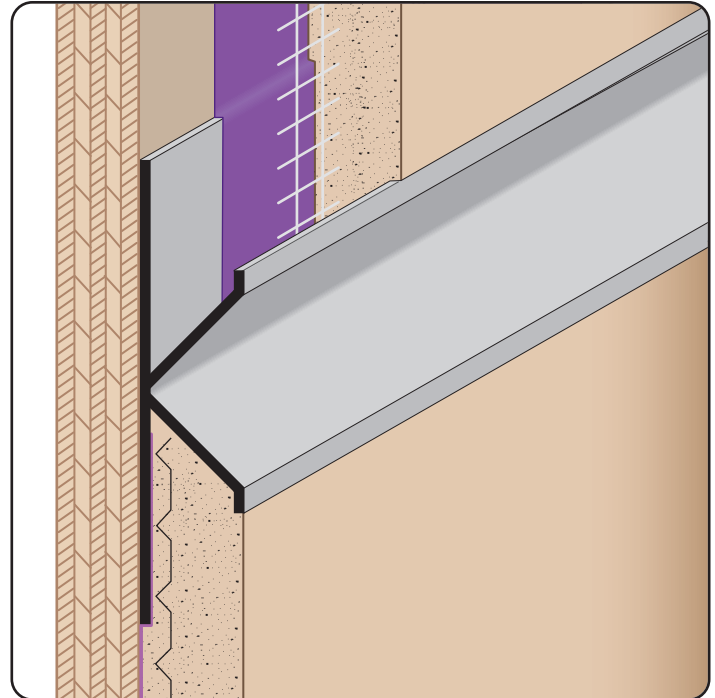


PCS 75 Wide V: Plaster Channel Screed Wide V

- Available Curved Upon Request
 - Available in Aluminum Alloy (6063 T-5)
- A plaster channel screed that creates a unique, wide 90° "V" shaped reveal.



Most Common Sizes

Length: 10'

Materials And Finishes:

Details: stpro.us/EXT

Aluminum Alloy (6063 T-5)

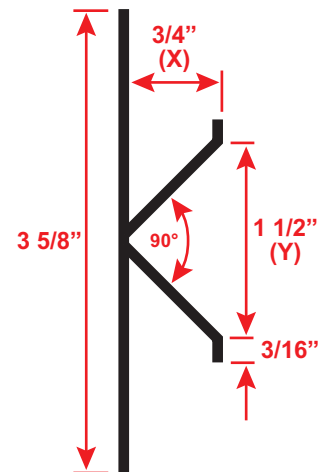
ASTM Codes:

Details: stpro.us/ASTM

AA-M32-C10A21, AAMA 605.2, C841, C1047, C1063, B136-84, B244-97, D4214-98, ND1730-67-TYPE B

Most Common Part Numbers:

PCS75WIDEV75 150EC	PCS 75 Wide V: X=3/4, Y=1 1/2, Clear Anodize, A, 10'
PCS75WIDEV75 150ES	PCS 75 Wide V: X=3/4, Y=1 1/2, Stripped Finish, A, 10'
PCS75WIDEV75 150EK	PCS 75 Wide V: X=3/4, Y=1 1/2, Fluorophore Paint, A, 10'
PCS75WIDEV75 150EPC	PCS 75 Wide V: X=3/4, Y=1 1/2, Powder Coat, A, 10'



QUOTE	Company: _____	QTY: _____	PO Number: _____
	Name: _____	Material: Aluminum Alloy (6063 T-5)	Job/Project: _____
	Address: _____	Length: _____	Notes: _____
	City: _____		_____
	State/ZIP: _____		_____
	Phone: _____		_____
	eMail: _____		_____

877-786-2587 • StocktonProducts.com

