



CUSTOM LENGTHS AVAILABLE!

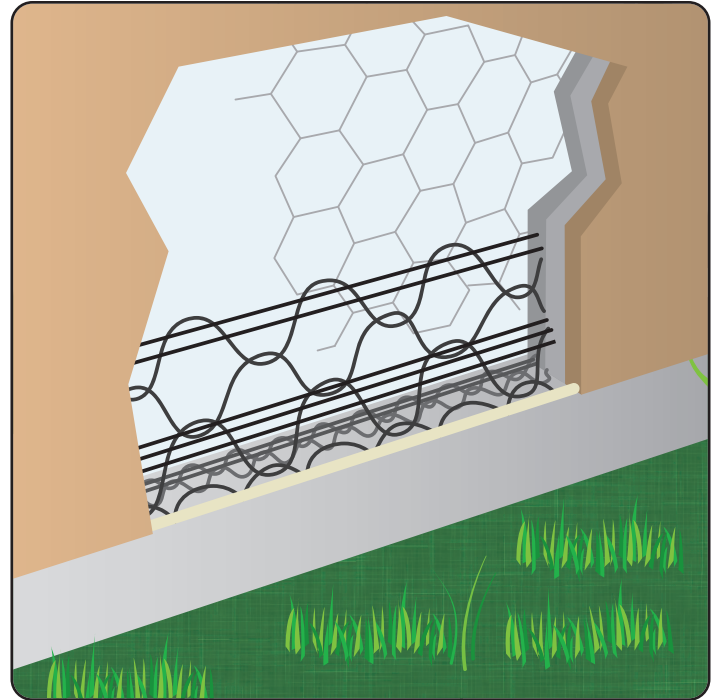
Stockton Custom Fabrication
877-786-2587
custom@StocktonProducts.com



PNWA: Plastic Nose WeepAid®

- Available In 7/8" and 1 1/2" Flange
- Available in Galvanized or Stainless Steel

Designed to act as a foundation screed for conventional 3-coat 7/8" stucco, WeepAid® maximizes the weep area and reduces the opportunity for stucco to stain or crack. Easy to tailor and trim. Comes with a non-rust high impact PVC nose. Can be used to form pop-outs around windows and doors as well as other "Ginger-Bread" details. Recommended for use with acrylic finishes.



Per Carton

Total Feet: 250'
Pieces: 25
Length: 10'

Materials:

Class 1 G60 Galvanized (17.5 Gauge Wire), Stainless Steel (17.5 Gauge Wire) 316L Stainless 18% Chromium

ASTM Codes:

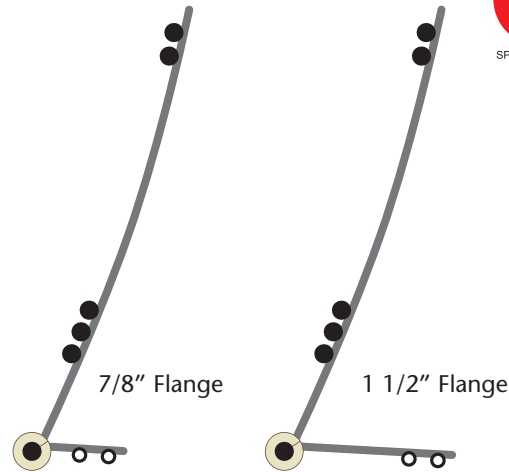
Details: stpro.us/ASTM

1063, 924, 641/A641 M-03, 653, 841, 580, Galvanized - C1063 & A924, Federal Spec QQ-S-775-D, 200 IBC, 2007 CBC

Most Common Part Numbers:

PNWA7810 PNWA: 7/8", GS, 10'
PNWA11210 PNWA: 1 1/2", GS, 10'
PNWA7810SS PNWA: 7/8", SS, 10'
PNWA11210SS PNWA: 1 1/2", SS, 10'

Note: Standard length is 10 feet. Additional lengths available upon request.



QUOTE	Company: _____	QTY: _____	PO Number: _____
	Name: _____	Material/Gauge: _____	Job/Project: _____
	Address: _____	Length: _____	Notes: _____
	City: _____		_____
	State/ZIP: _____		_____
	Phone: _____		_____
	eMail: _____		_____

877-786-2587 • StocktonProducts.com

