



CUSTOM SIZES AVAILABLE!

Stockton Custom Fabrication

877-786-2587

custom@StocktonProducts.com



PRODUCTS™

SLT: Slotted Slip Track

- Custom Sizes Available, Contact Customer Service For Details
- Available in Galvanized Steel (GS)

Our Slip Slotted Track is a deflection track with slots in the legs to allow for vertical deflection. Giving you head of wall vertical deflection.

Most Common Sizes

A (Slot Size): 1 1/2", 2", 2 1/2", 3", 3 1/2" or 4"

B (Leg Size): 2 1/2", 3", 3 1/2", 4", 4 1/2" or 5"

W (Web Width): User Defined

Length: 120" or 144"

Materials And Finishes:

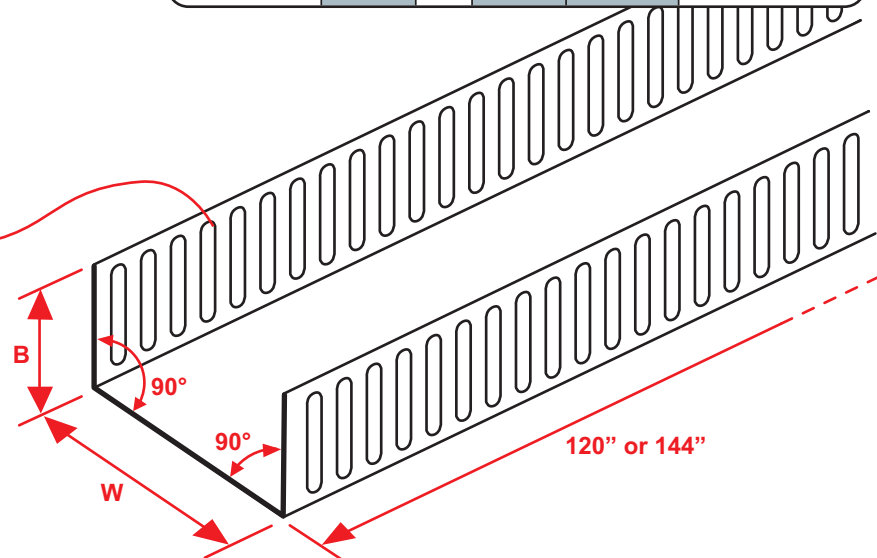
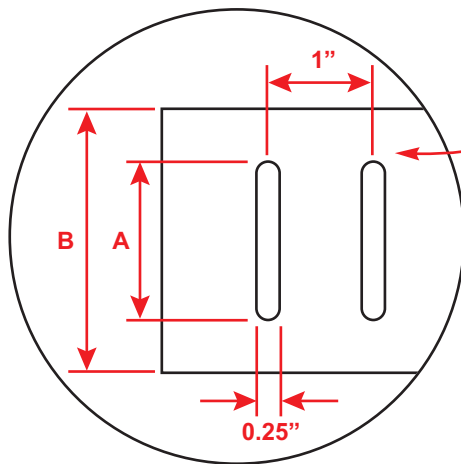
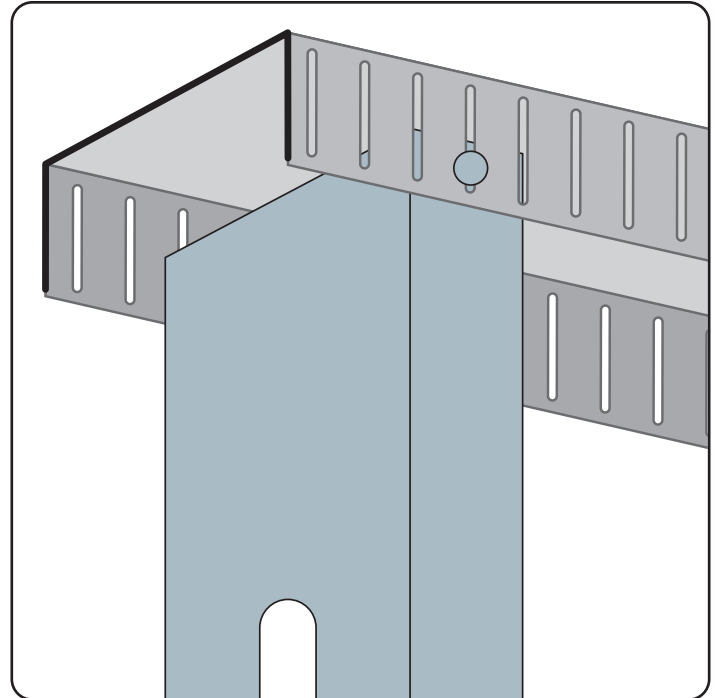
Details: stpro.us/MET

Galvanized Steel (GS)

ASTM Codes:

Details: stpro.us/ASTM

A1003, A653, A924, C645, C754, C955



QUOTE	Company: _____	QTY: _____	PO Number: _____
	Name: _____	Material/Gauge: _____	Job/Project: _____
	Address: _____	A Size: _____	Notes: _____
	City: _____	B Size: _____	_____
	State/ZIP: _____	W Size: _____	_____
	Phone: _____	Length: _____	_____
	eMail: _____		_____

877-786-2587 • StocktonProducts.com

