



CUSTOM SIZES AVAILABLE!

Stockton Custom Fabrication
877-786-2587
custom@StocktonProducts.com



PRODUCTS™

STU: Custom Stud

- Custom Sizes Available, Contact Customer Service For Details
- Available in Punched or Unpunched
- Available in Galvanized Steel (GS)

Stockton Products' Custom Stud, produced to ASTM C955 standards, for load-bearing and curtain-wall framing. We offer our custom studs punched to allow conduit installation and wall bridging, or unpunched if preferred. Custom sizes and hole placement is available upon request.

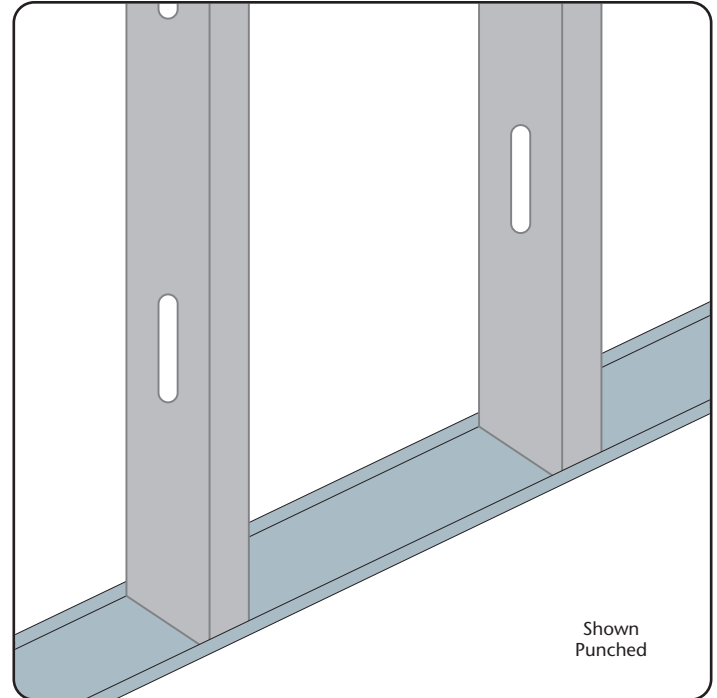
Note: 3/8" returns on 14 ga or thinner, 3/4" returns on 12 ga or thicker.

Most Common Sizes

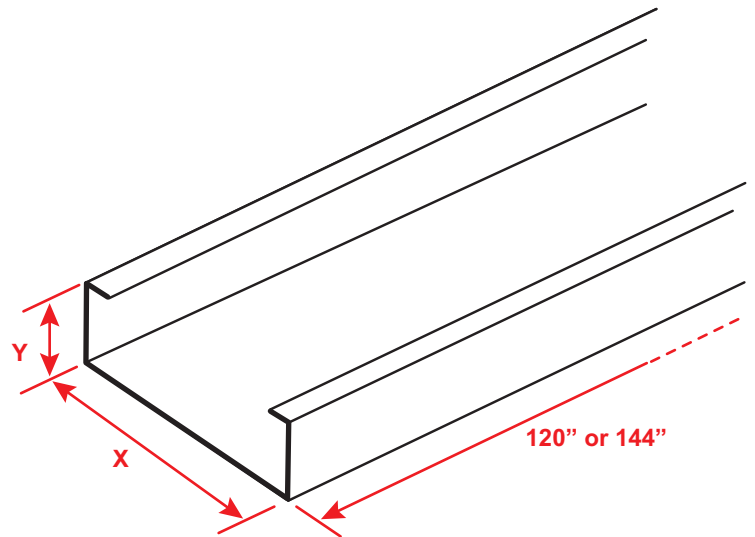
X Sizes: *User Defined*

Y Sizes: *User Defined*

Length: 120" or 144"



Shown Punched



Materials And Finishes:

Details: stpro.us/MET

Galvanized Steel (GS)

ASTM Codes:

Details: stpro.us/ASTM

A1003, A653, A924, C645, C754, C955

QUOTE	Company: _____	QTY: _____	PO Number: _____
	Name: _____	Material/Gauge: _____	Job/Project: _____
	Address: _____	X Size: _____	Notes: _____
	City: _____	Y Size: _____	_____
	State/ZIP: _____	Length: _____	_____
	Phone: _____	Punched: <input type="checkbox"/> No <input type="checkbox"/> Yes	_____
	eMail: _____		_____

877-786-2587 • StocktonProducts.com

