



CUSTOM SIZES AVAILABLE!

Stockton Custom Fabrication

877-786-2587

custom@StocktonProducts.com



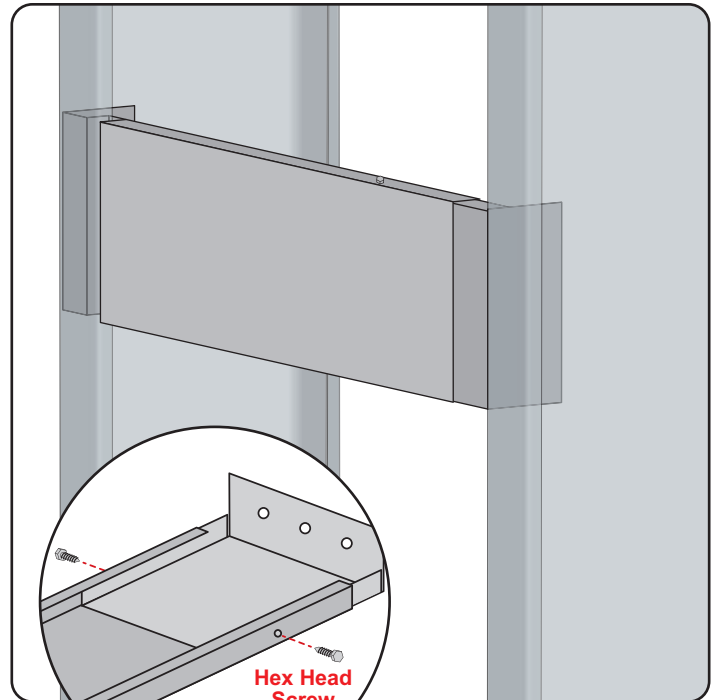
PRODUCTS®

TFBA: TruFlush™ Backing - Adjustable 2 Piece

- Faster Installation
- Eliminates Costly Backcharges
- Increase Production Installation, Plus Drywall, Taping And Finishing
- Increased Safety, No Grinders Needed, Only Chop Saw And Screw Gun
- Galvanized Steel (GS)
- Adjustable Length, Two Piece Design
- Patent Pending

Low profile, return lip backing that provides increased load capacity. TruFlush™ Backing will eliminate build up, drywall cracking and drywall fastener popping. Available in 20 gauge or 16 gauge for various stud spacing.

Note: Custom spacing and steel thickness available with extended lead times.



Most Common Sizes

X Sizes: User Defined

Y Sizes: User Defined

See Installation Guide For Load Testing Data

STUD

STUD PROFILE:

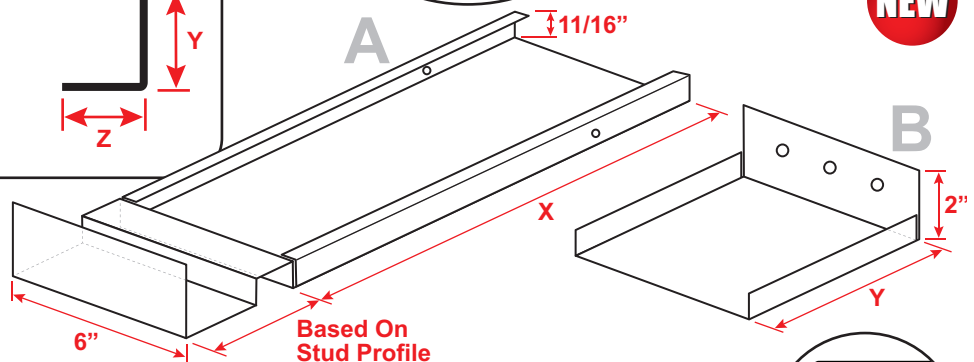
X: _____

Y: _____

Z: _____

Gauge: _____

TRUFLUSH™



Materials And Finishes:

Details: stpro.us/MET

Galvanized Steel (GS) in 20 ga. or 16 ga.
G60 standard (G90 optional)

ASTM Codes:

Details: stpro.us/ASTM

A1003, A653, A924, C645, C754, C955



QUOTE

Company: _____	QTY: _____	PO Number: _____
Name: _____	Material/Gauge: _____	Job/Project: _____
Address: _____	X Size: _____	Notes: _____
City: _____	Y Size: _____	_____
State/ZIP: _____	Brand of Stud: _____	_____
Phone: _____	_____	_____
eMail: _____	_____	_____

877-786-2587 • StocktonProducts.com

