



**CUSTOM SIZES AVAILABLE!**

Stockton Custom Fabrication

877-786-2587

custom@StocktonProducts.com



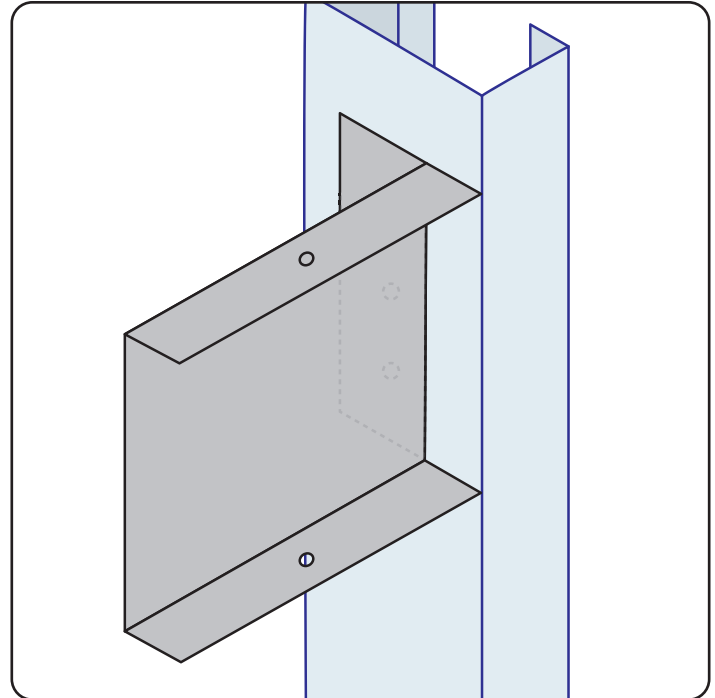
**PRODUCTS™**

# TFBH: TruFlush™ Backing Makeup Hard Side

- Faster Installation
- Eliminates Costly Backcharges
- Increase Production Installation, Plus Drywall, Taping And Finishing
- Increased Safety, No Grinders Needed, Only Chop Saw And Screw Gun
- Galvanized Steel (GS)
- Patent Pending

Low profile backing that provides increased load capacity. TruFlush™ Backing Makeup Hard Side will eliminate build up, drywall cracking and drywall fastener popping. Available in 20 gauge or 16 gauge for various stud spacing.

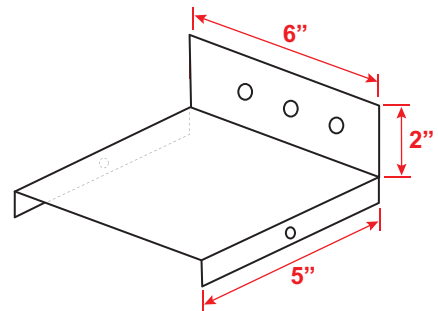
**Note:** Custom spacing and steel thickness available with extended lead times.



See Installation Guide For Load Testing Data

# TRUFLUSH™

**NEW**



### Materials And Finishes:

Details: [stpro.us/MET](http://stpro.us/MET)

Galvanized Steel (GS) in 20 ga. or 16 ga.  
G60 standard (G90 optional)

### ASTM Codes:

Details: [stpro.us/ASTM](http://stpro.us/ASTM)

A1003, A653, A924, C645, C754, C955

<b>QUOTE</b>	Company: _____	QTY: _____	PO Number: _____
	Name: _____	Material/Gauge: _____	Job/Project: _____
	Address: _____		Notes: _____
	City: _____		_____
	State/ZIP: _____		_____
	Phone: _____		_____
	eMail: _____		_____

**877-786-2587 • StocktonProducts.com**

