



**CUSTOM SIZES AVAILABLE!**

Stockton Custom Fabrication

877-786-2587

custom@StocktonProducts.com



**PRODUCTS™**

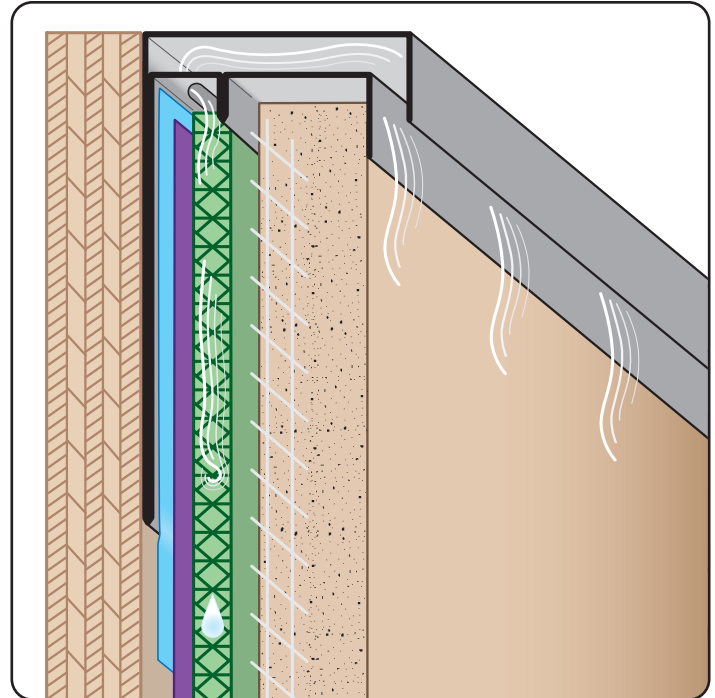
# TVSS: Top Vent Stucco Screed

- Custom Sizes Available, Contact Customer Service For Details
- Available in Aluminum (A), Copper (C), Galvanized Steel (GS), Bonderized (BN), Stainless Steel (SS) or Zinc (Z)

The Top Vent Stucco Screed is a single piece vented plaster stop specifically designed to be used with drainage mat to efficiently allow water vapor to escape through the concealed air slots.

The Top Vent Stucco Screed is fully customizable to be used with any ground size (stucco depth) or drainage mat thickness per IBC 2510.6.1

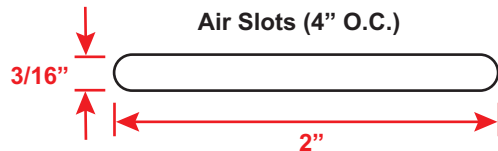
The Top Vent Stucco Screed is an ideal companion piece to use with Stockton's Tru-Weep™ line of stucco accessories.



### Most Common Sizes

**X Sizes:** 1 5/8"

**Length:** 120"



### Materials And Finishes:

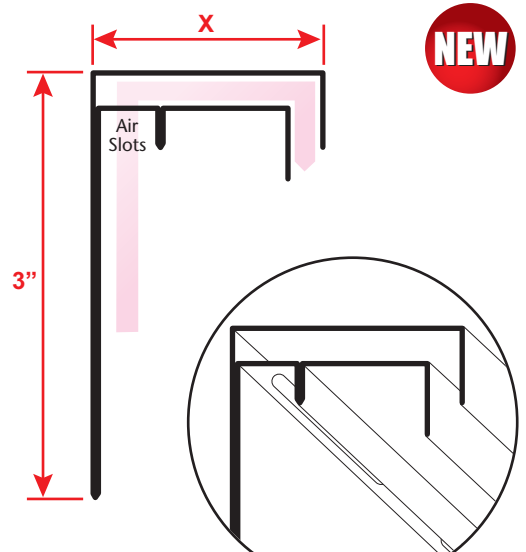
Details: [stpro.us/MET](http://stpro.us/MET)

Aluminum (A), Copper (C), Galvanized Steel (GS), Bonderized (BN), Stainless Steel (SS) or Zinc (Z)

### ASTM Codes:

Details: [stpro.us/ASTM](http://stpro.us/ASTM)

All Accessories are fabricated from prime galvanized steel G90 zinc coating by the hot dipped method, conforming to steel and coating specification ASTM A-653/A-653M or zinc alloy meeting ASTM B-69. Stainless Steel A480/A480M A580M (Stainless Steel) For installation and placement instructions refer to ASTM C1063, C841 and C926.



<b>QUOTE</b>	Company: _____	QTY: _____	PO Number: _____
	Name: _____	Material/Gauge: _____	Job/Project: _____
	Address: _____	X Size: _____	Notes: _____
	City: _____	Length: _____	_____
	State/ZIP: _____		_____
	Phone: _____		_____
	eMail: _____		_____

**877-786-2587 • StocktonProducts.com**

