



CUSTOM SIZES AVAILABLE!

Stockton Custom Fabrication
877-786-2587
custom@StocktonProducts.com

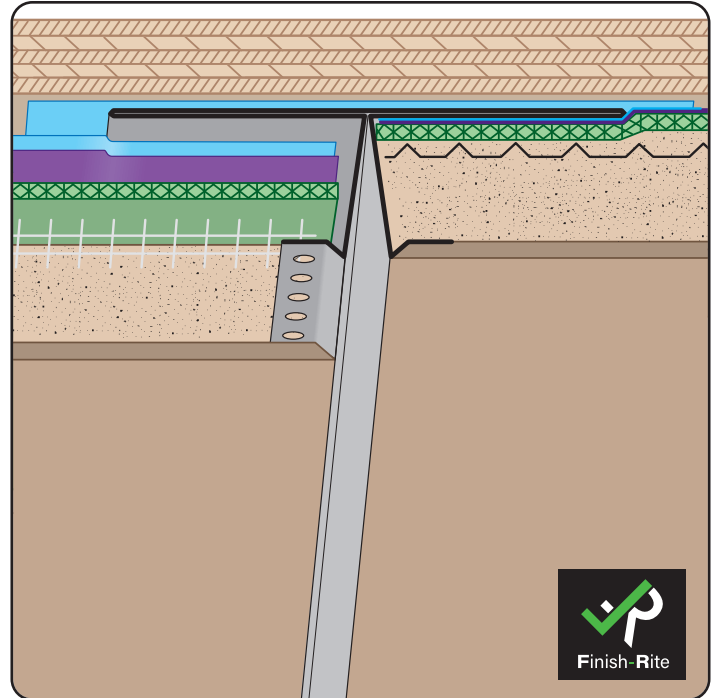


PRODUCTS™

TWVJ: Tru-Weep™ Vertical Control Joint

- Custom Sizes Available, Contact Customer Service For Details
- Available in Aluminum (A), Copper (C), Galvanized Steel (GS), Bonderized (BN), Stainless Steel (SS) or Zinc (Z)

The Tru-Weep™ Vertical Control Joint is a customizable vertical control joint specifically designed to be used with drainage mat stucco assemblies. Tru-Weep™ Vertical Control Joint is to be used with drainage mat stucco assemblies per 2021 IBC: 2510.6.1



Most Common Sizes

X Sizes: 1", 1 1/8", 1 1/4", 1 1/2"

Length: 120"

Materials And Finishes:

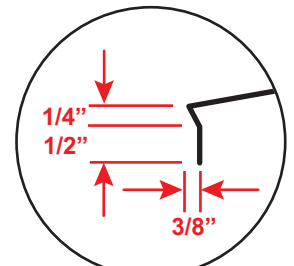
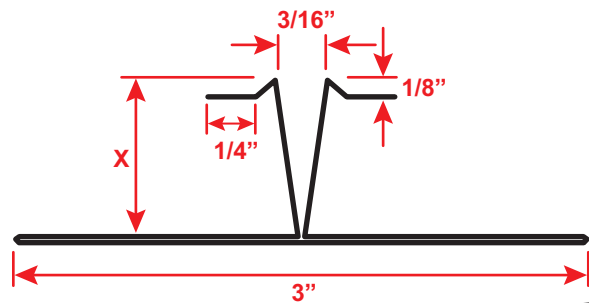
Details: stpro.us/MET

Aluminum (A), Copper (C), Galvanized Steel (GS), Bonderized (BN), Stainless Steel (SS) or Zinc (Z)

ASTM Codes:

Details: stpro.us/ASTM

All Accessories are fabricated from prime galvanized steel G90 zinc coating by the hot dipped method, conforming to steel and coating specification ASTM A-653/A-653M or zinc alloy meeting ASTM B-69. Stainless Steel A480/A480M A580M (Stainless Steel) For installation and placement instructions refer to ASTM C1063, C841 and C926.



QUOTE	Company: _____	QTY: _____	PO Number: _____
	Name: _____	Material/Gauge: _____	Job/Project: _____
	Address: _____	X Size: _____	Notes: _____
	City: _____	Length: _____	_____
	State/ZIP: _____		_____
	Phone: _____		_____
	eMail: _____		_____

877-786-2587 • StocktonProducts.com

