



CUSTOM SIZES AVAILABLE!

Stockton Custom Fabrication

877-786-2587

custom@StocktonProducts.com



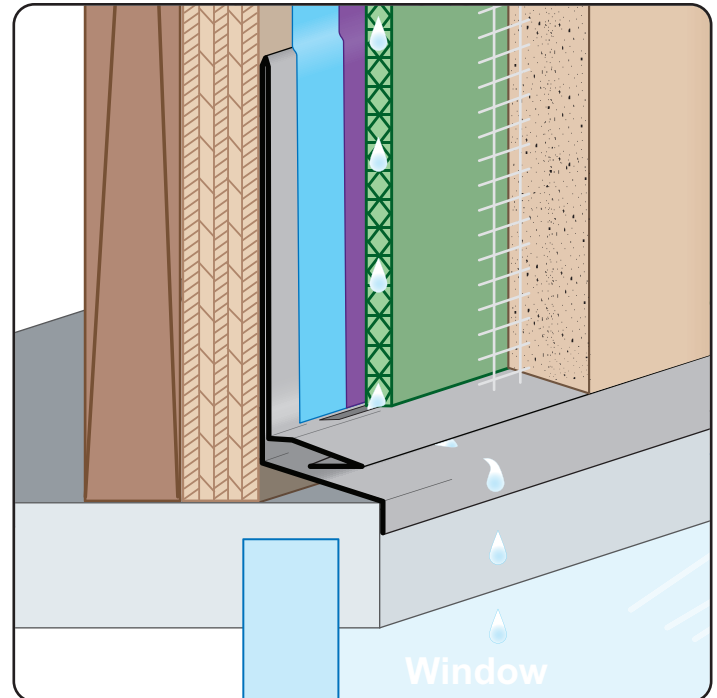
PRODUCTS™

TWWF: Tru-Weep™ Window Head Flashing

- Custom Sizes Available, Contact Customer Service For Details
- Included 3/16 x 2" Weep Slots
- Available in Aluminum (A), Copper (C), Galvanized Steel (GS), Bonderized (BN), Stainless Steel (SS) or Zinc (Z)

The Tru-Weep™ Window Flashing is a single piece window head flashing weep specifically designed to be used with drainage mat. Weep slots are located along the back of the sloped leg in alignment with the drainage mat to allow water to efficiently exit the stucco assembly.

Note: Field install end dams are recommended when using this accessory over window heads



Most Common Sizes

X Sizes: 1", 1 1/8", 1 1/4", 1 1/2"

Y Sizes: 1", 1 1/4", 1 1/2"

Z Sizes: 1/2", 3/4", 1"

Length: 120"

Materials And Finishes:

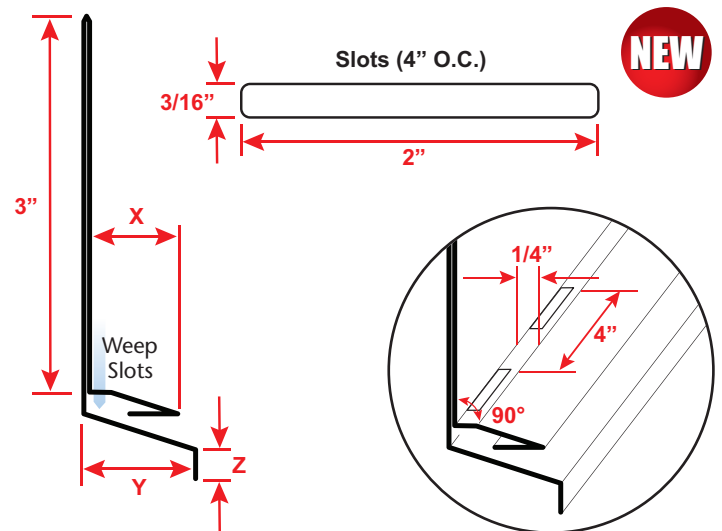
Details: stpro.us/MET

Aluminum (A), Copper (C), Galvanized Steel (GS), Bonderized (BN), Stainless Steel (SS) or Zinc (Z)

ASTM Codes:

Details: stpro.us/ASTM

All Accessories are fabricated from prime galvanized steel G90 zinc coating by the hot dipped method, conforming to steel and coating specification ASTM A-653/A-653M or zinc alloy meeting ASTM B-69. Stainless Steel A480/A480M A580M (Stainless Steel) For installation and placement instructions refer to ASTM C1063, C841 and C926.



QUOTE

Company: _____
 Name: _____
 Address: _____
 City: _____
 State/ZIP: _____
 Phone: _____
 eMail: _____

QTY: _____
 Material/Gauge: _____
 X Size: _____
 Y Size: _____
 Z Size: _____
 Length: _____

PO Number: _____
 Job/Project: _____
 Notes: _____

877-786-2587 • StocktonProducts.com

