



CUSTOM SIZES AVAILABLE!

Stockton Custom Fabrication

877-786-2587

custom@StocktonProducts.com



PRODUCTS™

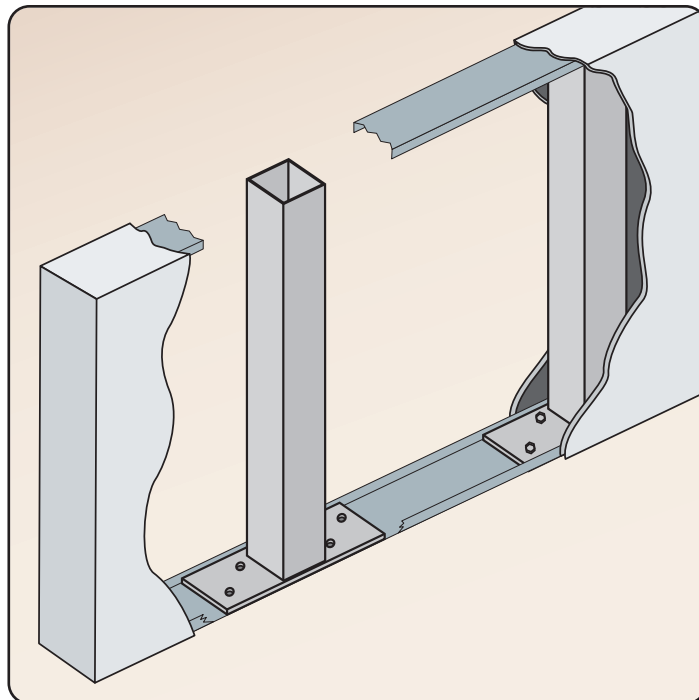
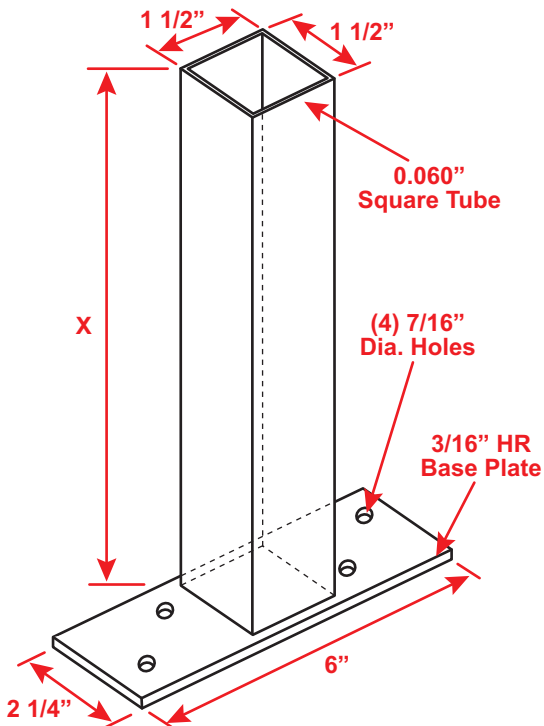
WPX-R: Wall Post (Rectangular Base)

- Custom Sizes Available, Contact Customer Service For Details
- 2 1/4" x 6" Rectangle Base (3/16" HR Base Plate)
- Includes Four 7/16" Dia. Holes
- Available in 36", 48" and 60" Height
- 3/16" Hot Roll Steel Standard

Wall post are used in pony walls (half walls). The wall post is mounted to a guide track or directly to the floor structure. Which add strength and rigidity to the short wall by acting as an anchor to the floor. Generally a 2 1/4" x 6" rectangle base wall post would be used in 2 1/2" pony walls.

Most Common Sizes

X Sizes: 36", 48" or 60"



Materials And Finishes:

Details: stpro.us/MET

Hot Roll (HR)

ASTM Codes:

Details: stpro.us/ASTM

A1003, A653, A924, C645, C754, C955

Most Common Part Numbers:

WPX R36 WPX-R: X=36, HR

WPX R48 WPX-R: X=48, HR

WPX R60 WPX-R: X=60, HR

QUOTE

Company: _____
 Name: _____
 Address: _____
 City: _____
 State/ZIP: _____
 Phone: _____
 eMail: _____

QTY: _____
 Material/Gauge: _____
 X Size: _____

PO Number: _____
 Job/Project: _____
 Notes: _____

877-786-2587 • StocktonProducts.com

