



CUSTOM SIZES AVAILABLE!

Stockton Custom Fabrication
877-786-2587
custom@StocktonProducts.com

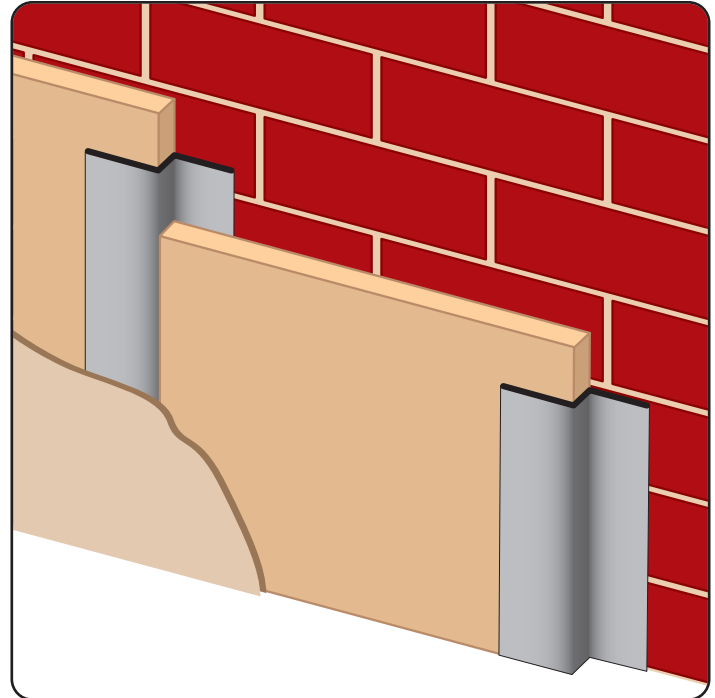


PRODUCTS™

Z-B/LP: Custom Z-Bar Low Profile

- Custom Sizes Available, Contact Customer Service For Details
- Available in Aluminum (A), Copper (C), Galvanized Steel (GS), Bonderized (BN), Galvalume® (GVM), Stainless Steel (SS) or Zinc (Z)

Stockton's Custom Z-Bar Low Profile features a 1/4" step. The small tight Z provides the opportunity to use thinner materials when the project calls for it. Provides rigid insulation and attachment of insulation, drywall or veneer to the interior of masonry walls. Z-Bars are generally used vertically to hold a cover materials against a wall to prevent dampness or resurface with a difference material.
Note: 1/4" center dimension is up to 16ga Galvanized Steel G-60 max.



Most Common Sizes

X Sizes: User Defined

Y Sizes: User Defined

Z Sizes: User Defined

Materials And Finishes:

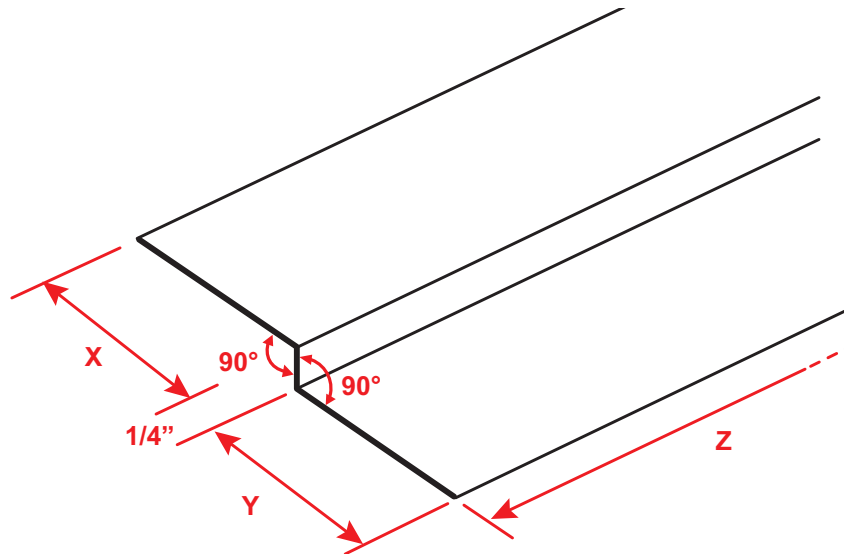
Details: stpro.us/MET

Aluminum (A), Copper (C), Galvanized Steel (GS), Bonderized (BN), Galvalume® (GVM), Stainless Steel (SS) or Zinc (Z)

ASTM Codes:

Details: stpro.us/ASTM

A1003, A653, A924, C645, C754, C955



QUOTE

Company: _____	QTY: _____	PO Number: _____
Name: _____	Material/Gauge: _____	Job/Project: _____
Address: _____	X Size: _____	Notes: _____
City: _____	Y Size: _____	_____
State/ZIP: _____	Z Size: _____	_____
Phone: _____		_____
eMail: _____		_____

877-786-2587 • StocktonProducts.com

