



CUSTOM SIZES AVAILABLE!

Stockton Custom Fabrication

877-786-2587

custom@StocktonProducts.com

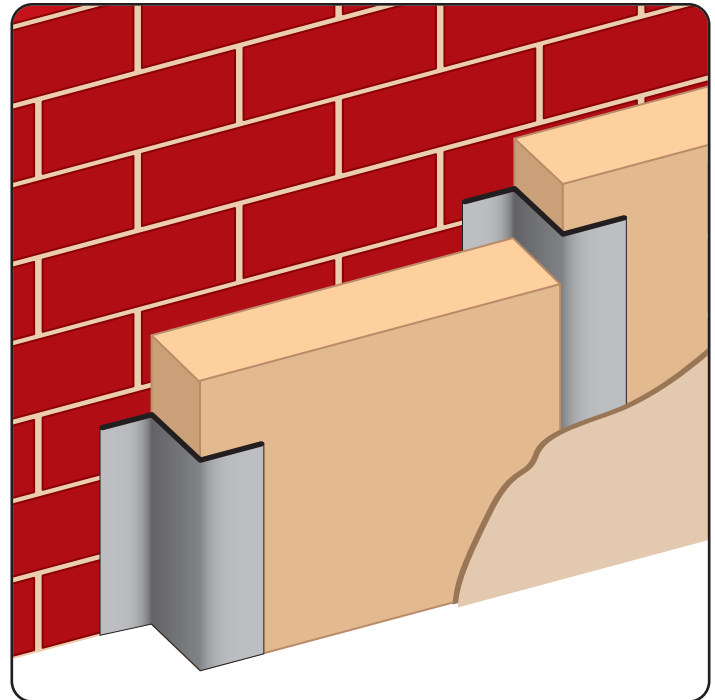


PRODUCTS™

Z-B: Custom Z-Bar

- Custom Sizes Available, Contact Customer Service For Details
- Available in Aluminum (A), Copper (C), Galvanized Steel (GS), Bonderized (BN), Galvalume® (GVM), Stainless Steel (SS) or Zinc (Z)

Z-Bar provides a method of attaching rigid insulation and other material



Most Common Sizes

X Sizes: *User Defined*

Y Sizes: *User Defined*

Z Sizes: *User Defined*

Length: *User Defined*

Materials And Finishes:

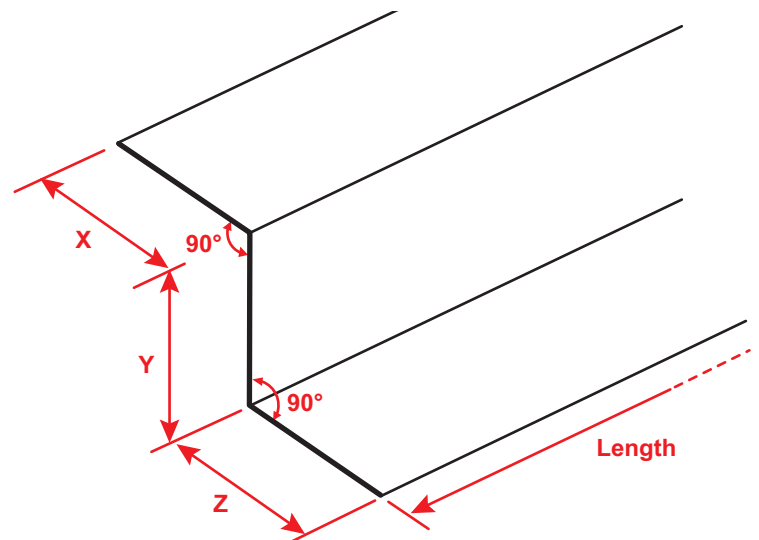
Details: stpro.us/MET

Aluminum (A), Copper (C), Galvanized Steel (GS), Bonderized (BN), Galvalume® (GVM), Stainless Steel (SS) or Zinc (Z)

ASTM Codes:

Details: stpro.us/ASTM

A1003, A653, A924, C645, C754, C955



QUOTE

Company: _____
 Name: _____
 Address: _____
 City: _____
 State/ZIP: _____
 Phone: _____
 eMail: _____

QTY: _____
 Material/Gauge: _____
 X Size: _____
 Y Size: _____
 Z Size: _____
 Length: _____

PO Number: _____
 Job/Project: _____
 Notes: _____

877-786-2587 • StocktonProducts.com

